





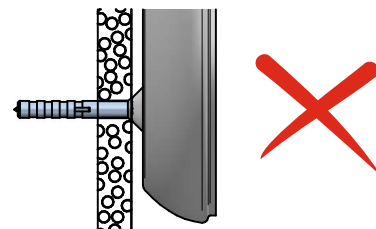
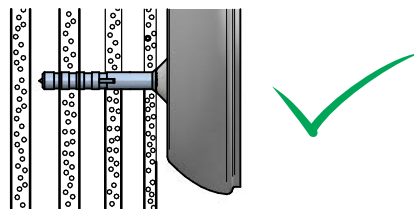
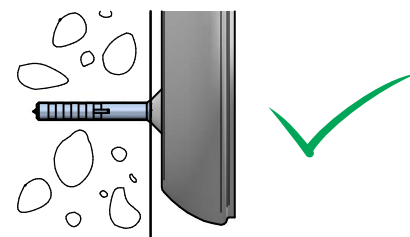
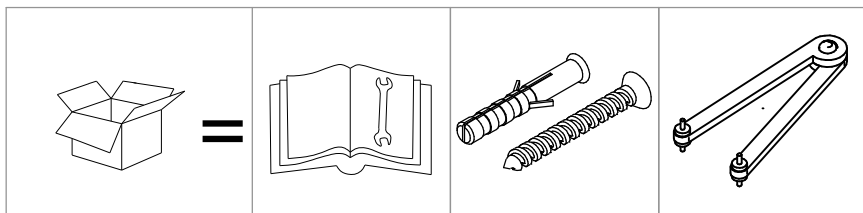
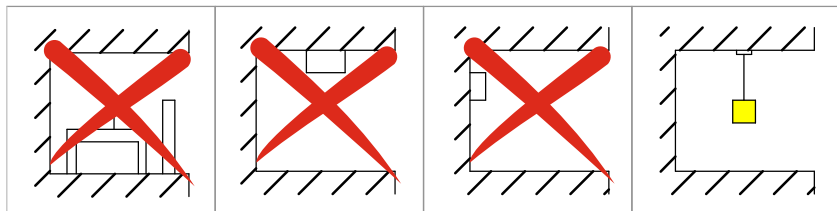
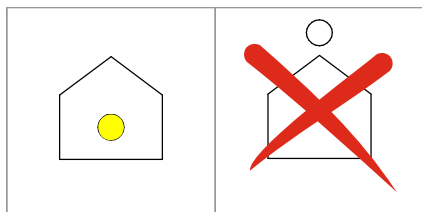
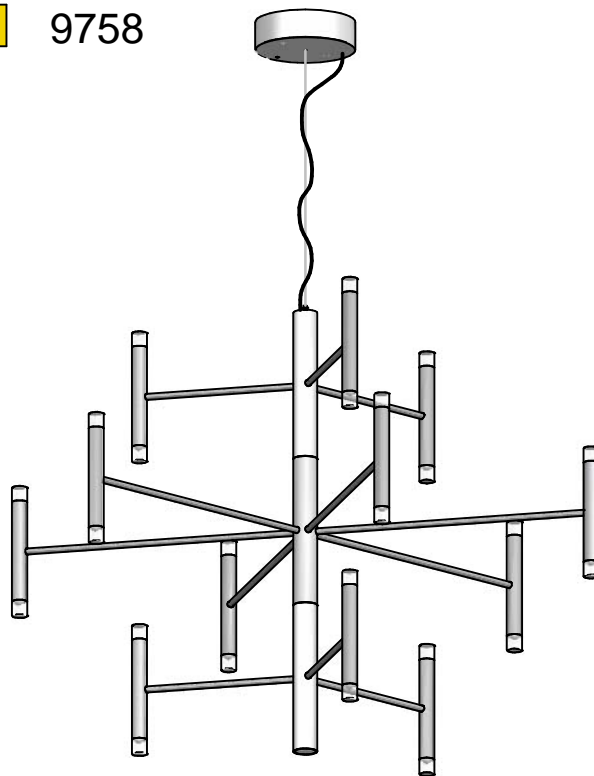
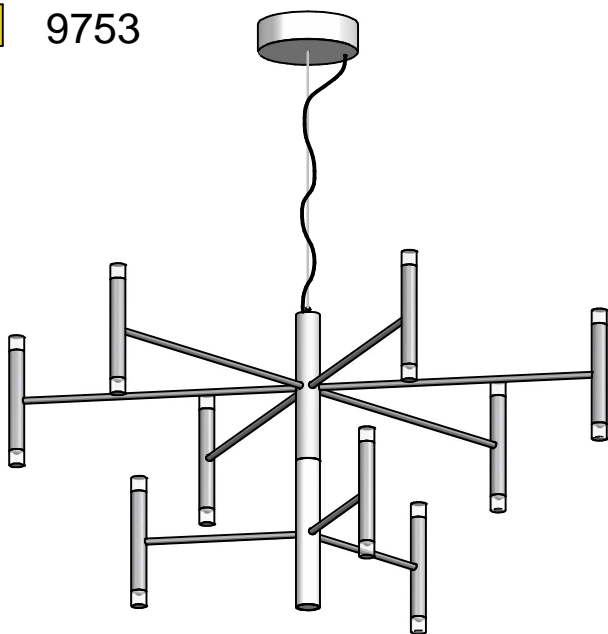
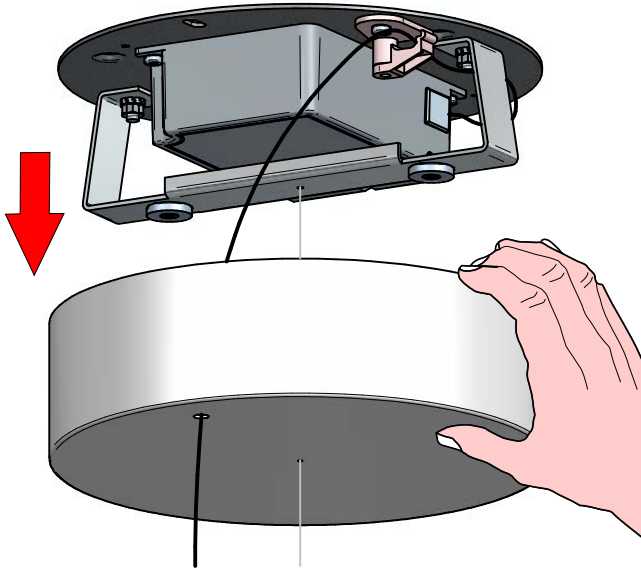


-  9750
-  9751
-  9752
-  9753

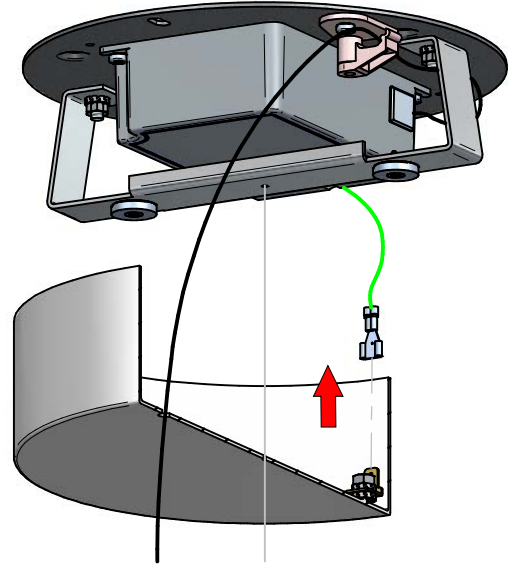
-  9755
-  9756
-  9757
-  9758



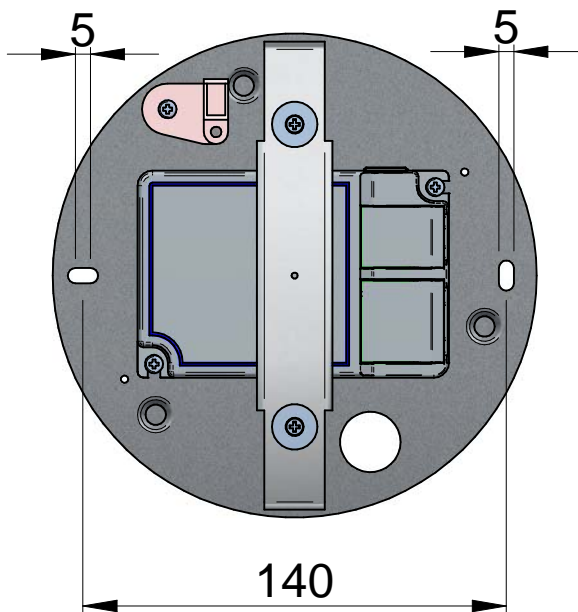
1



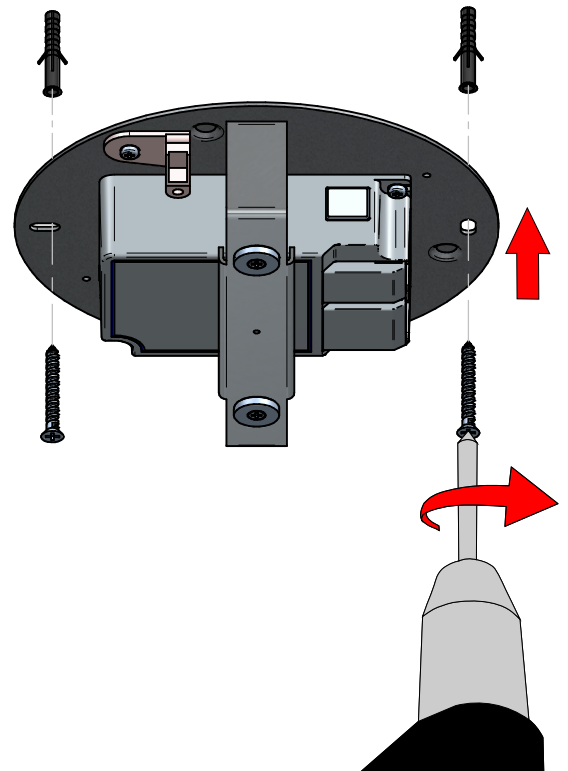
2

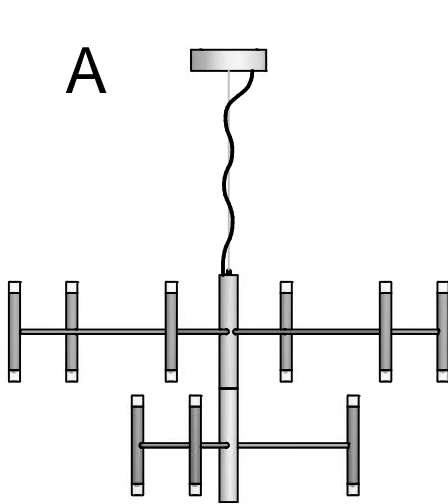




3

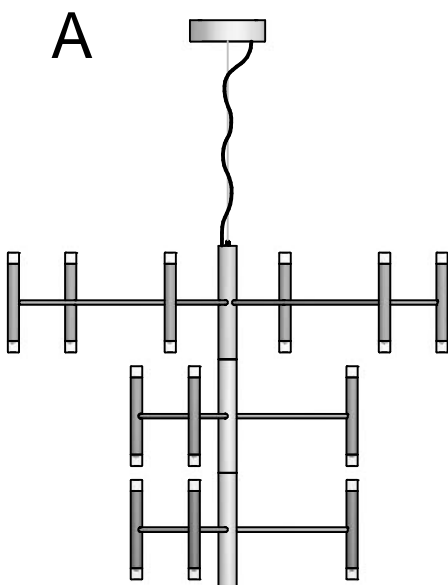
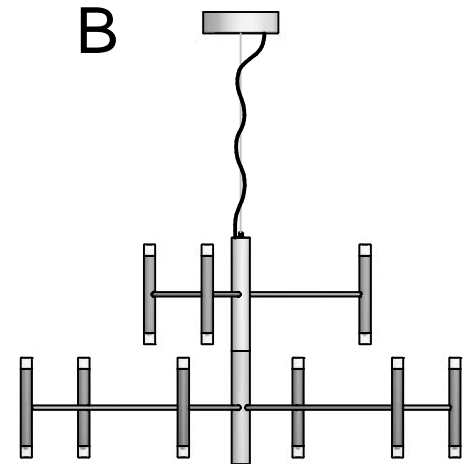


4

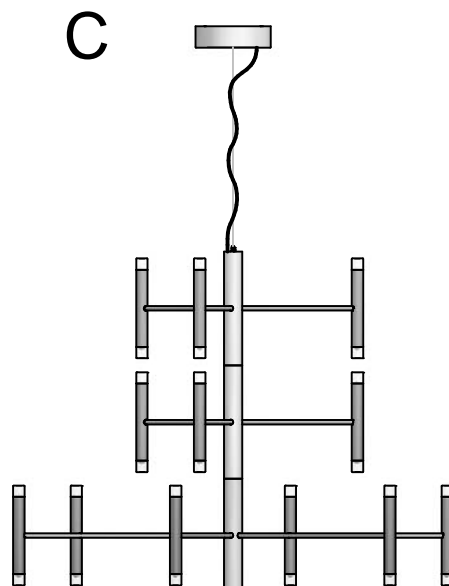
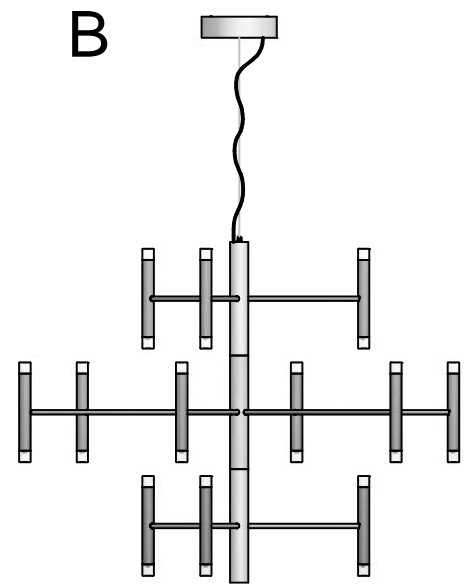


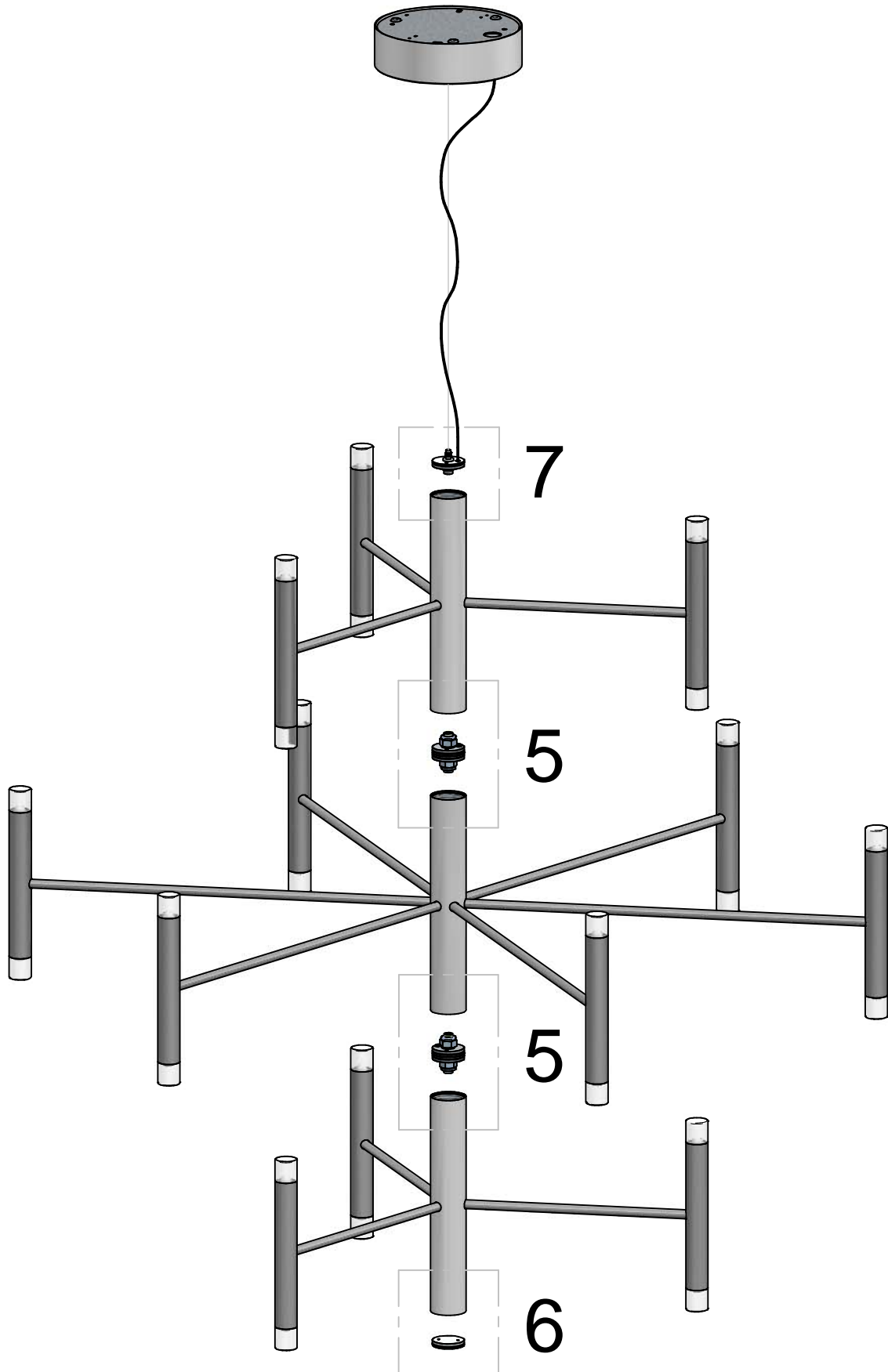


-  9750
-  9751
-  9752
-  9753

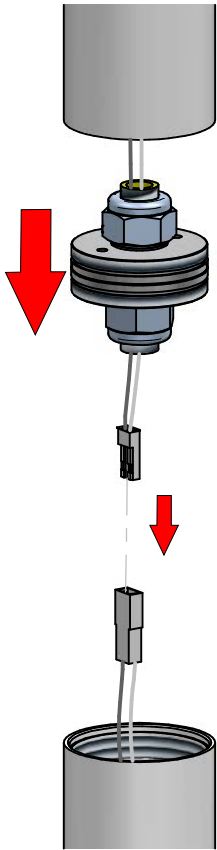


-  9755
-  9756
-  9757
-  9758

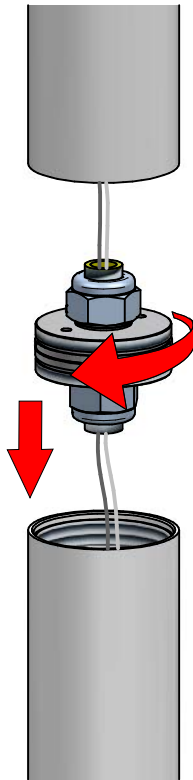




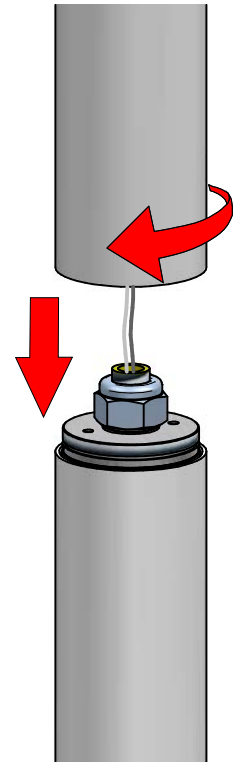
5a



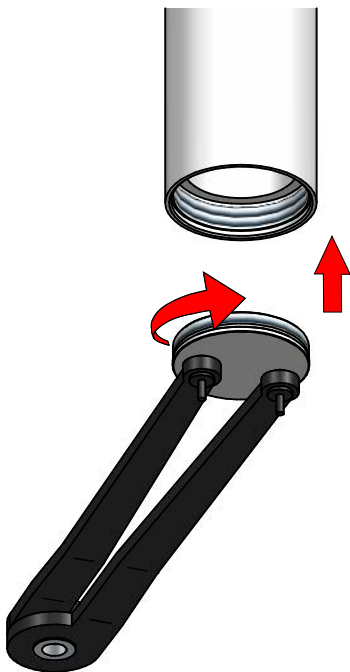
5b



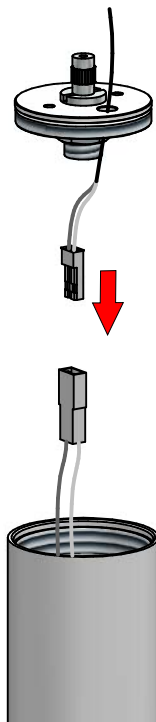
5c



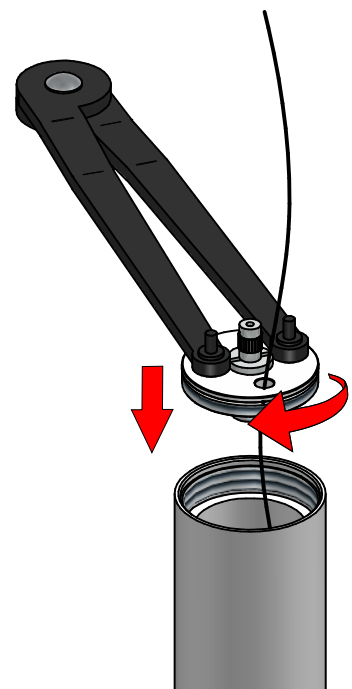
6

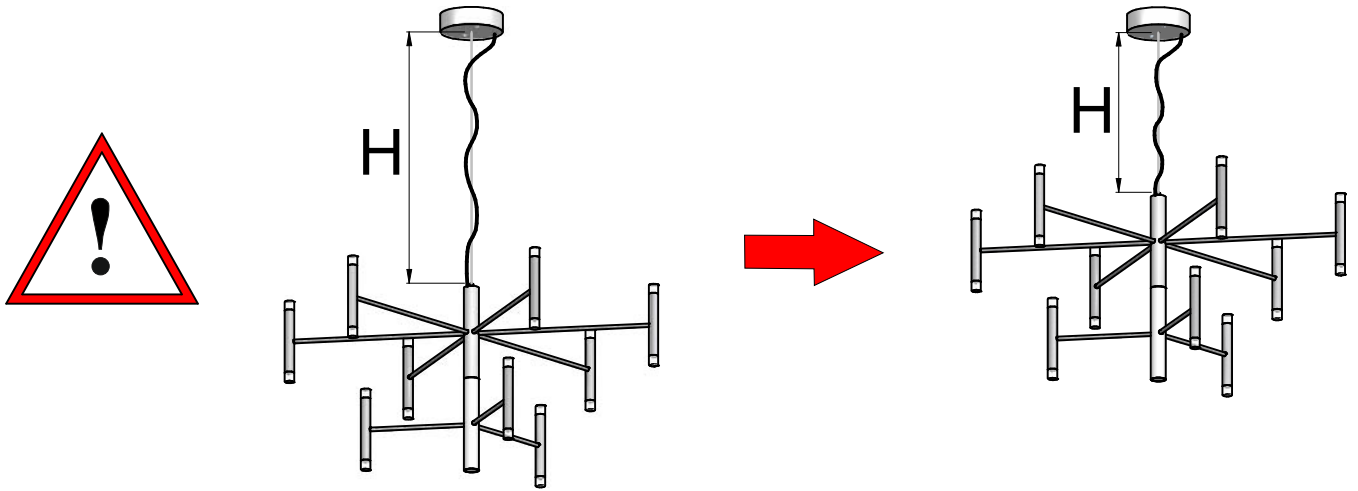


7a

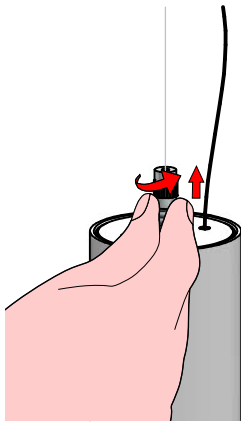


7b

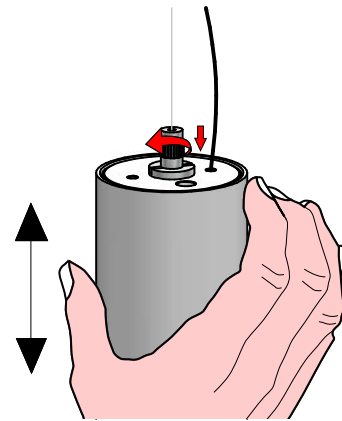




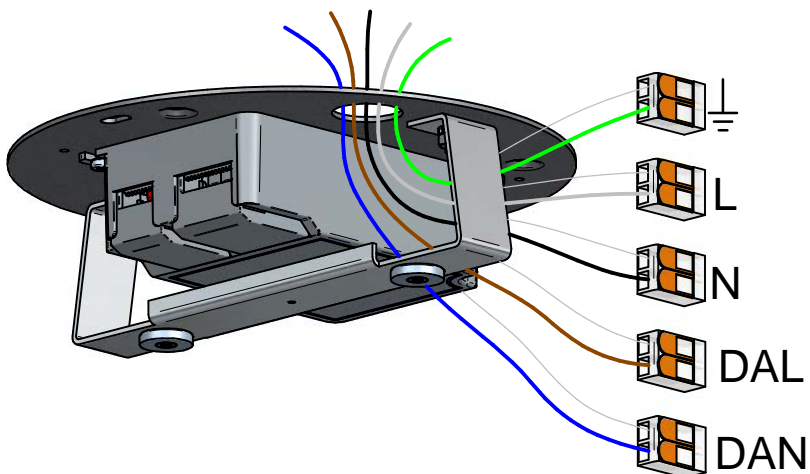
7c



7d



8



9

