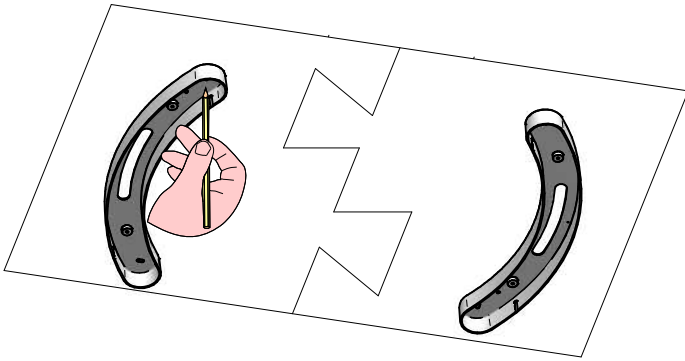
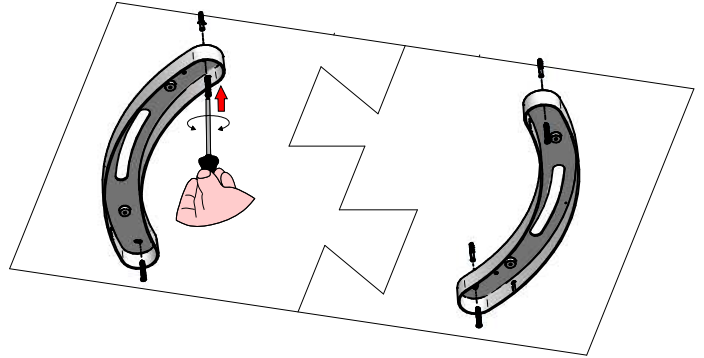


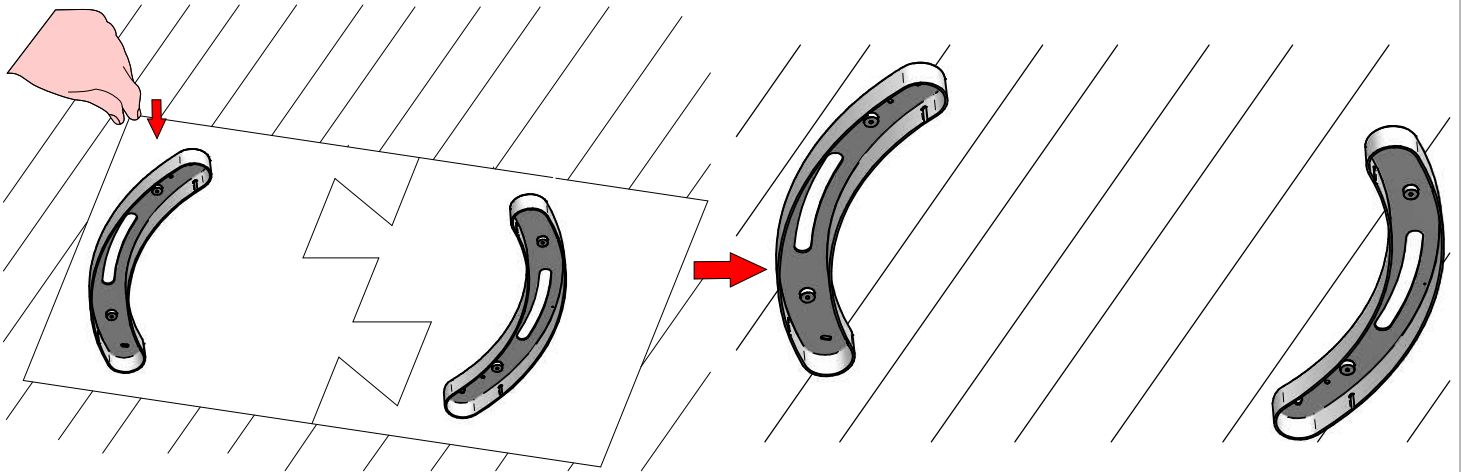
5



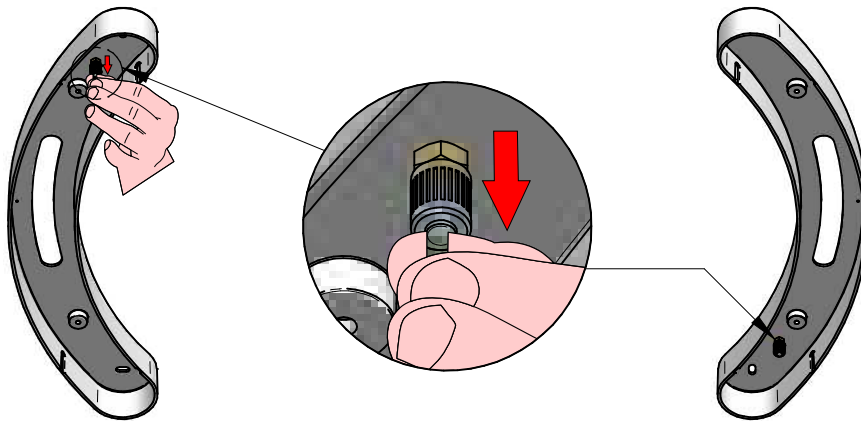
6



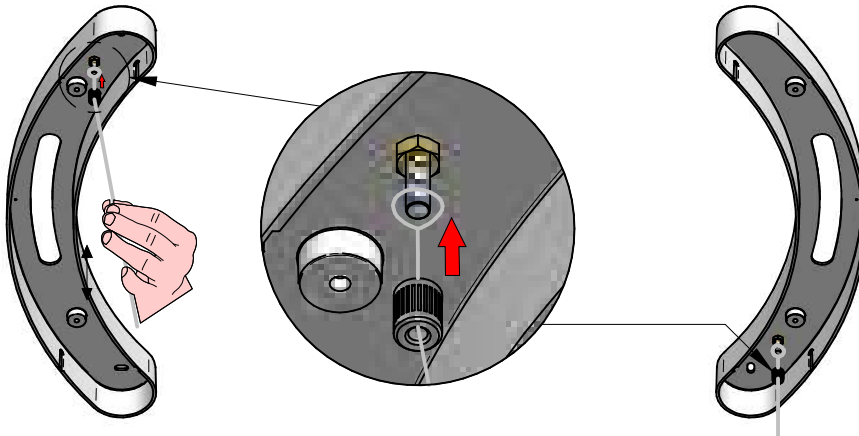
7



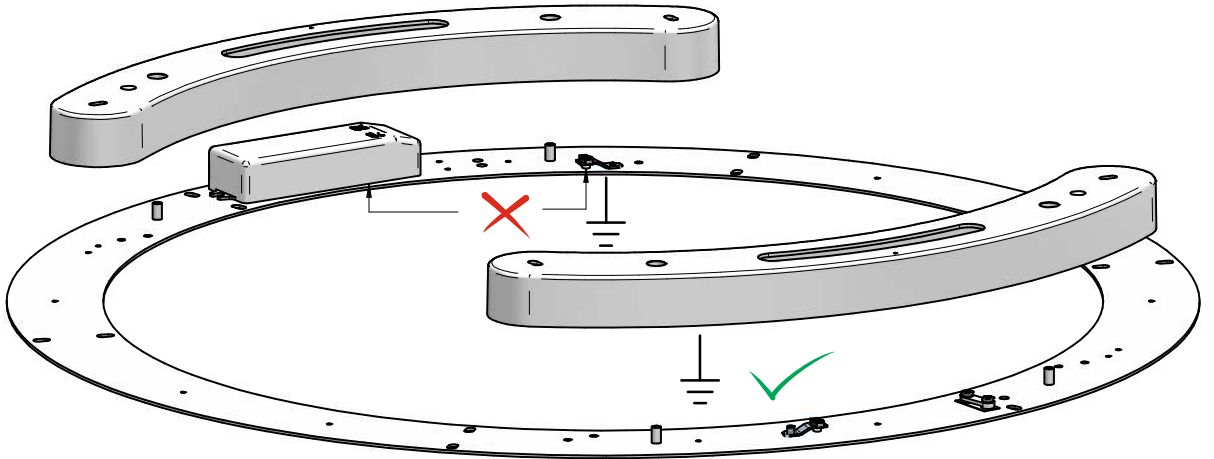
8



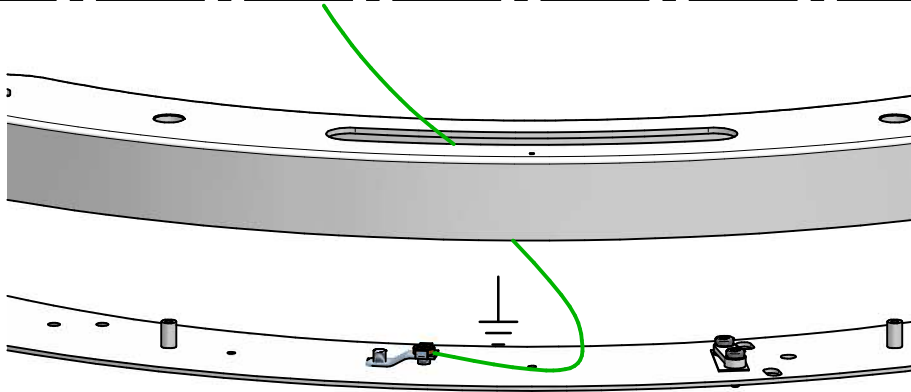
9



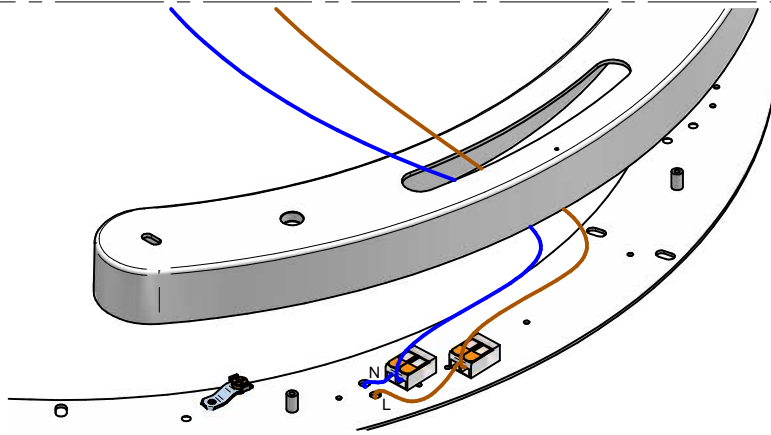
10



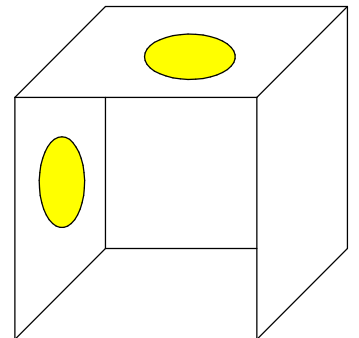
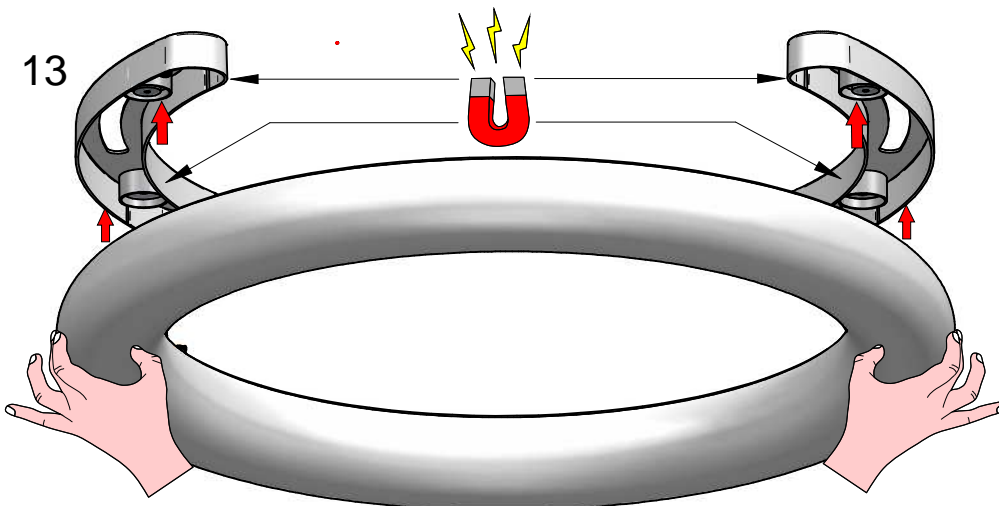
11

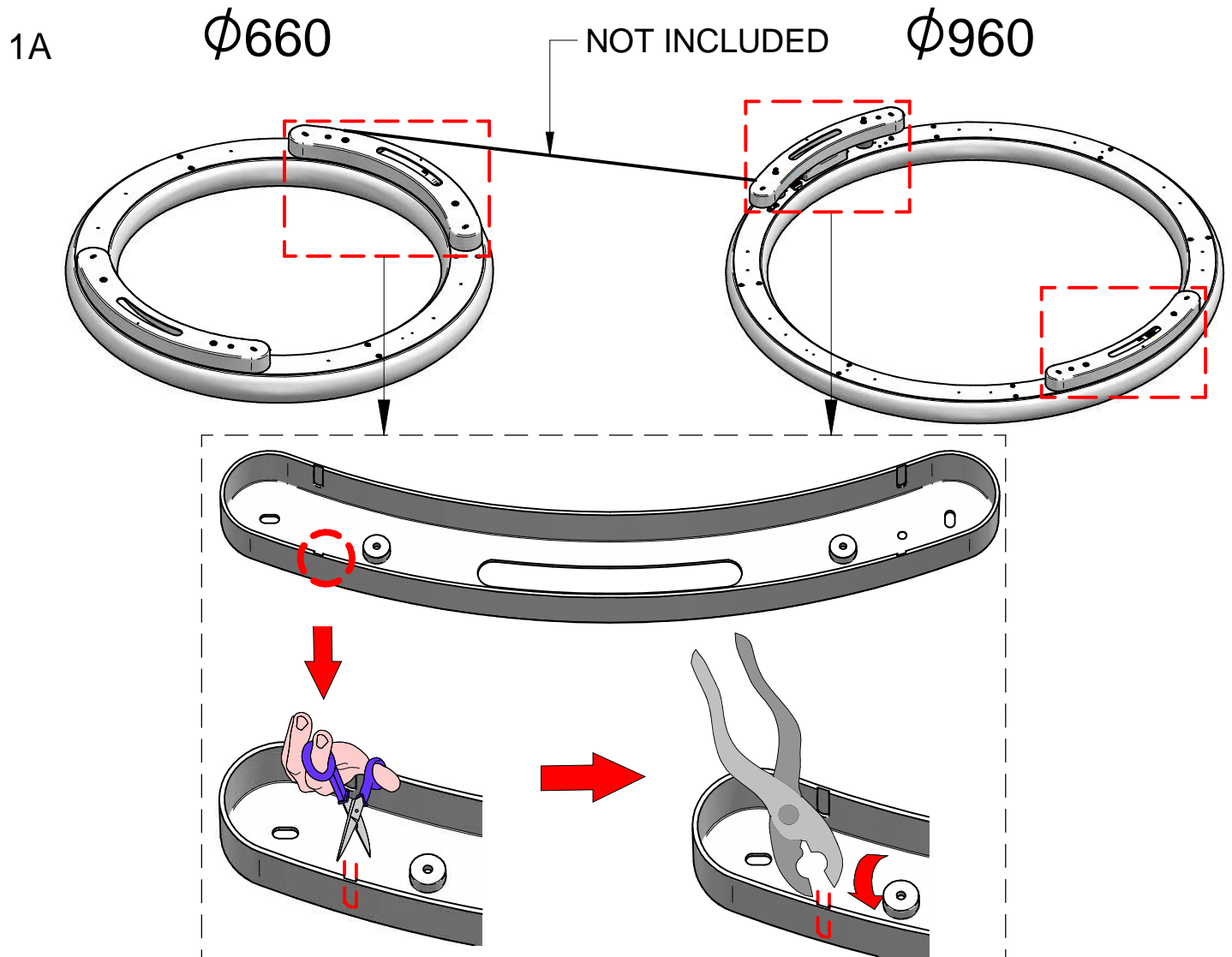
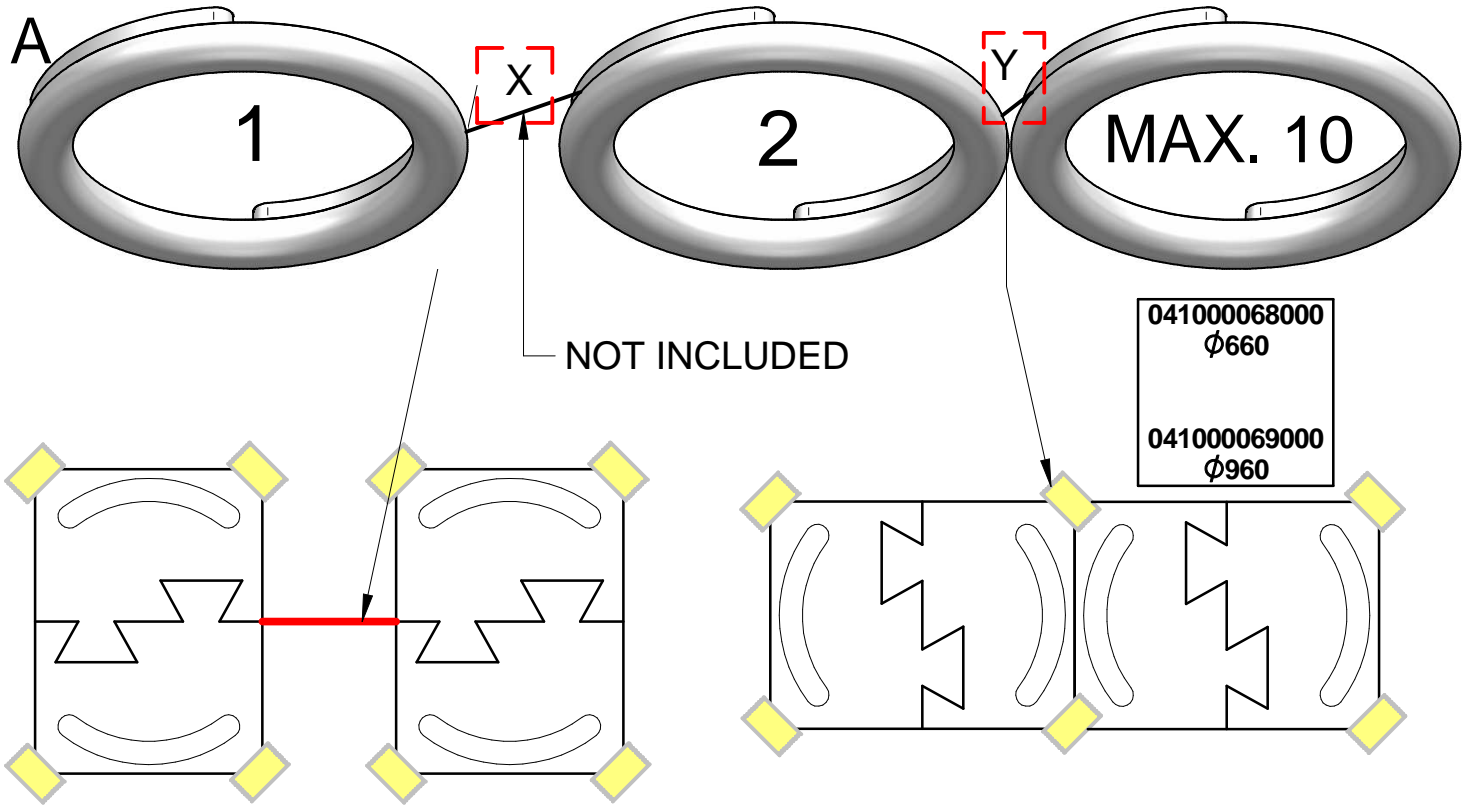


12



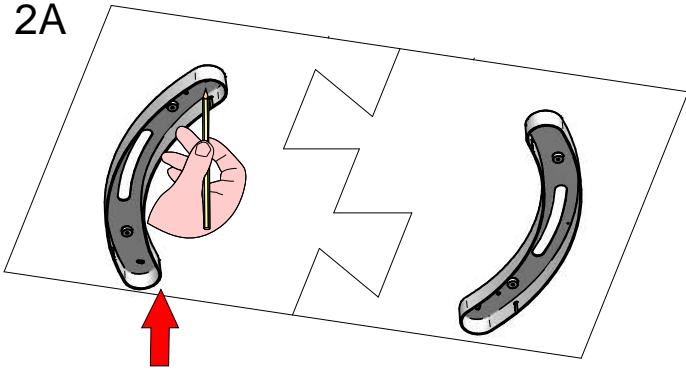
13



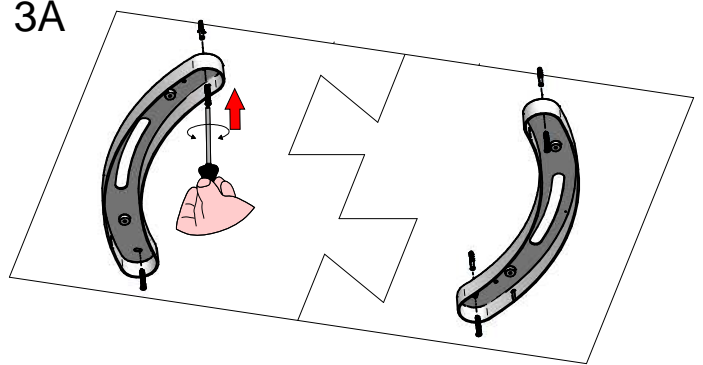


Ø660 Ø960

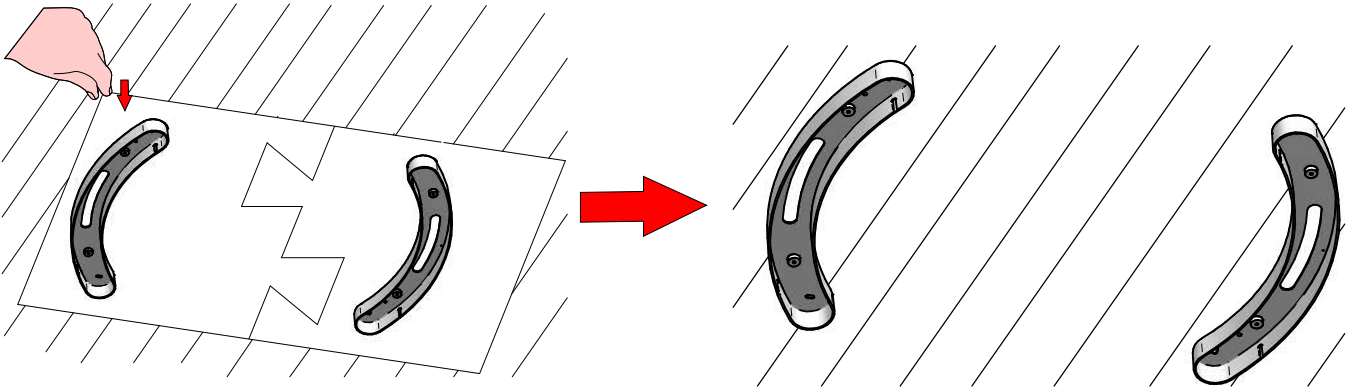
2A



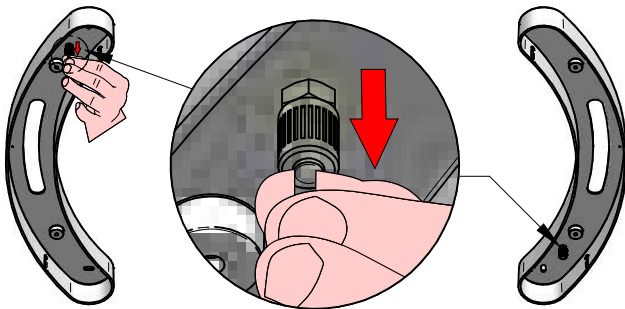
3A



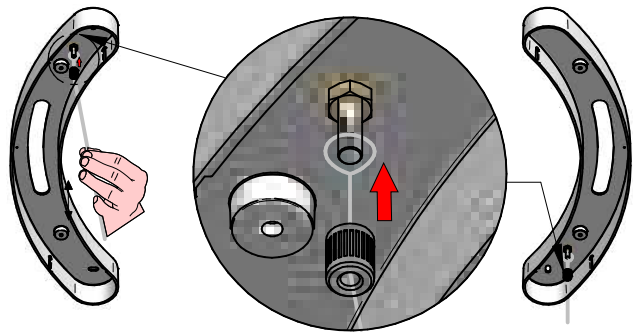
4A



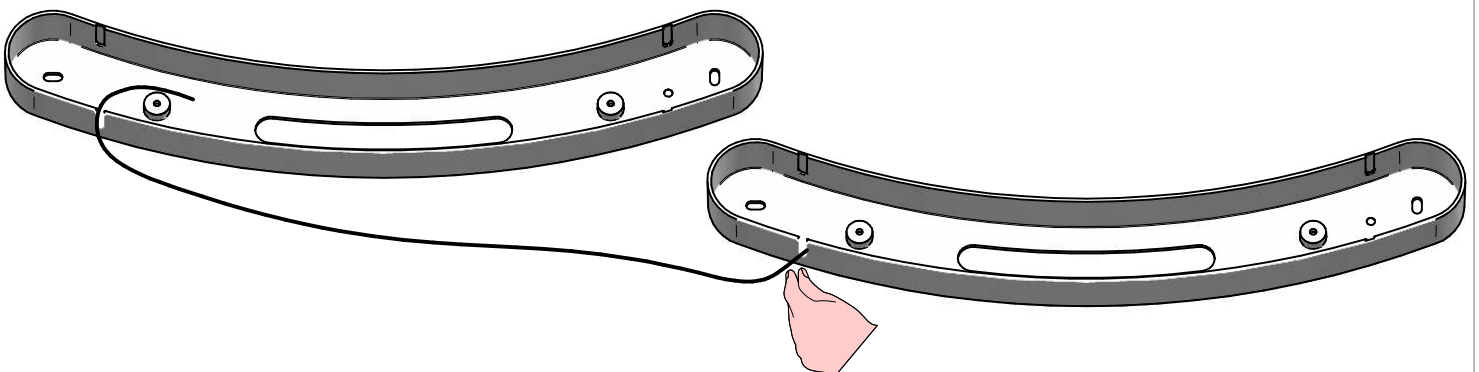
5A



6A



7A

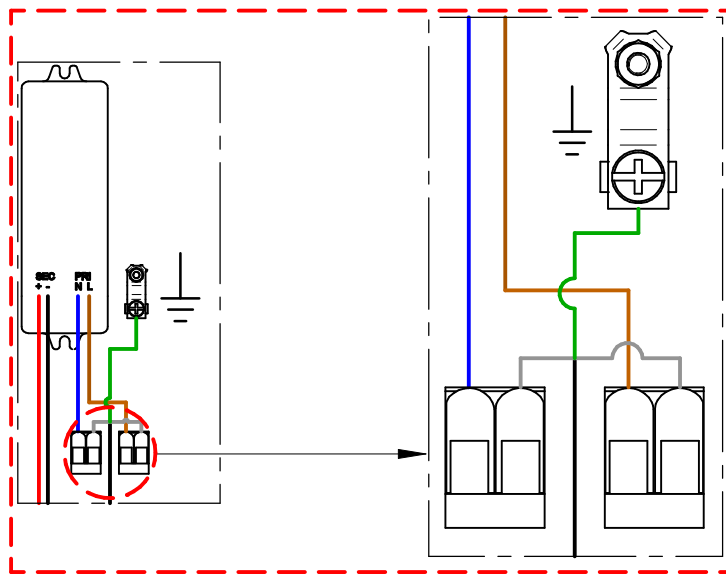
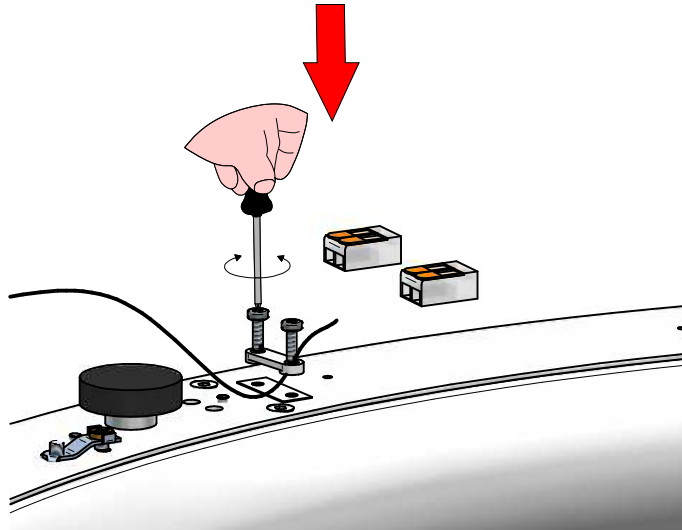




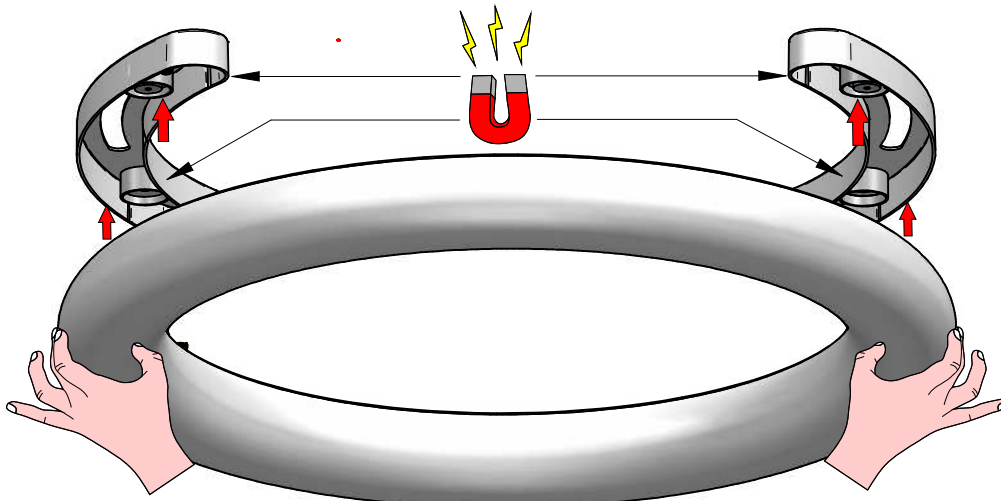
Ø660

Ø960

8A



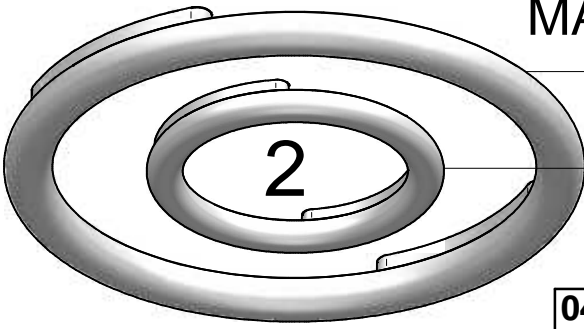
9A



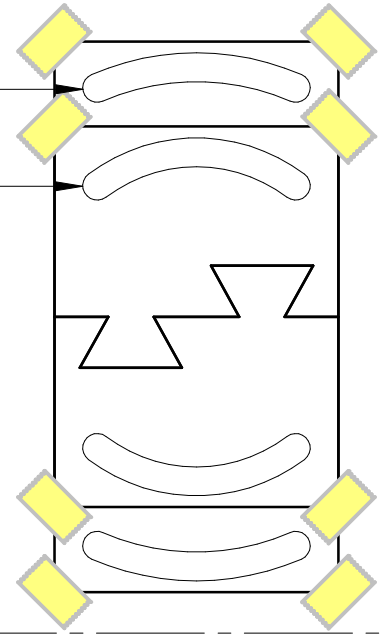
B

MAX. 10

1

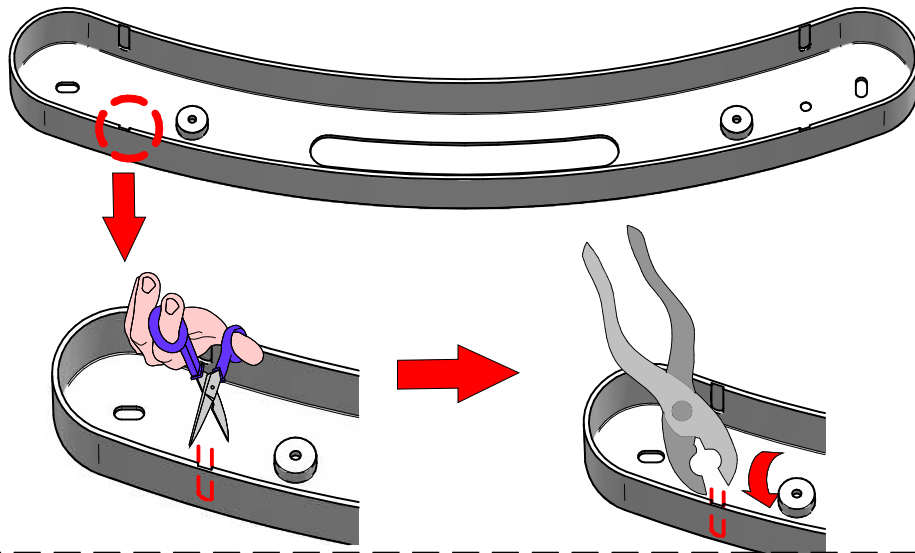


041000068000  
Ø660  
041000069000  
Ø960

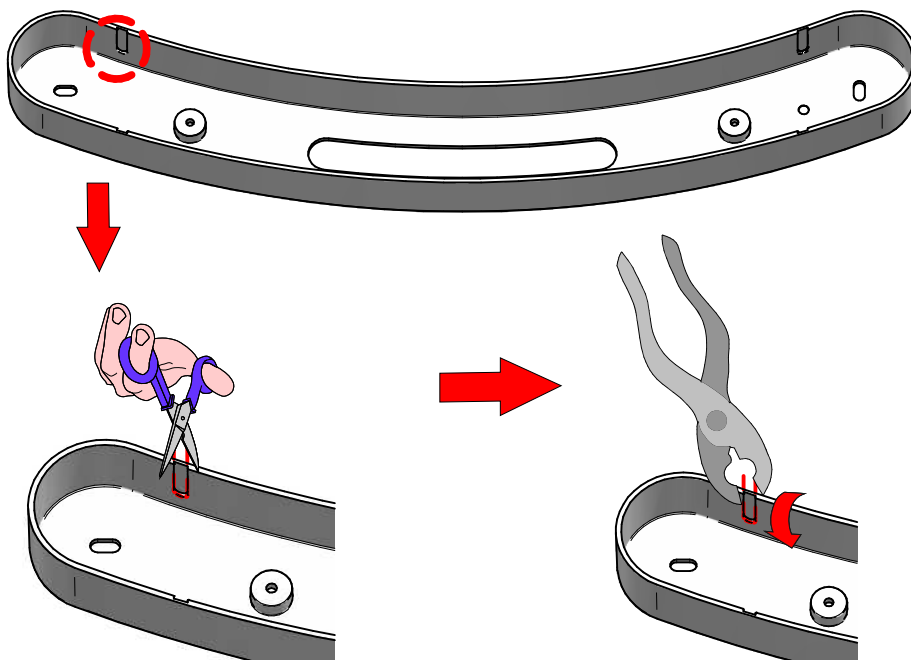


1B

Ø660

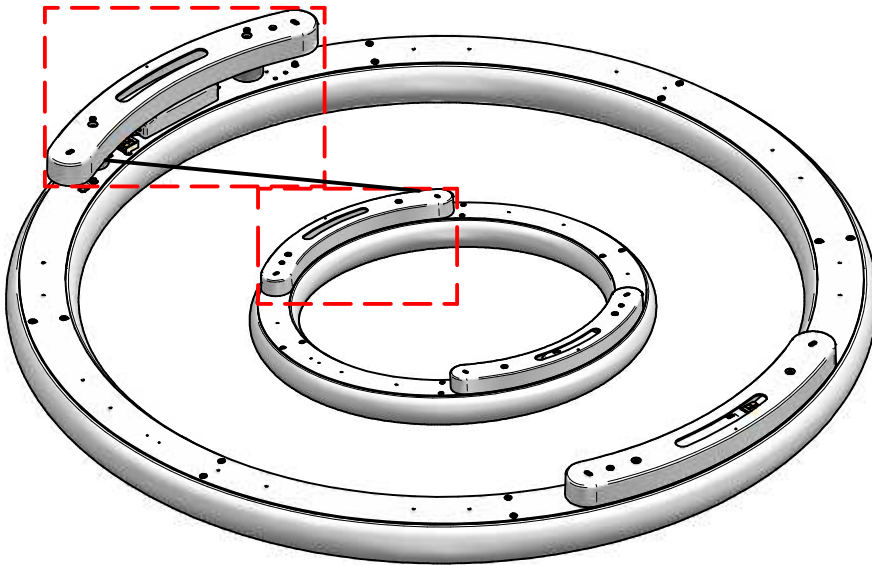


Ø960

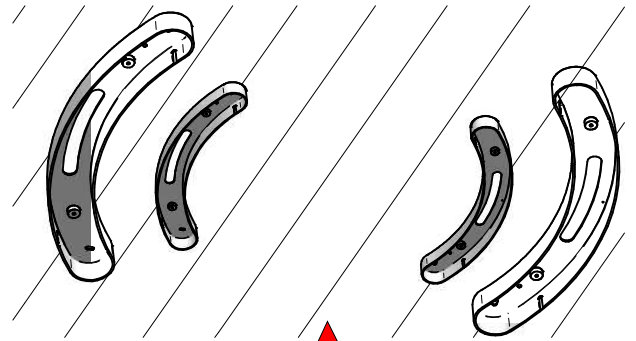
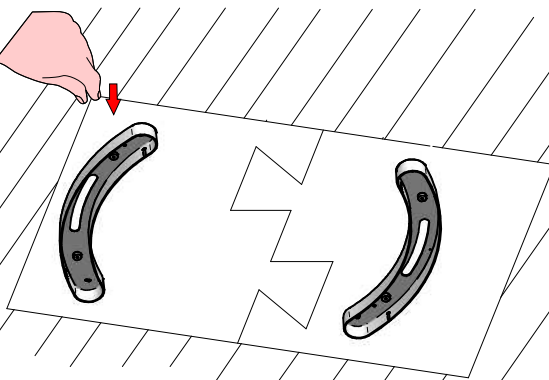
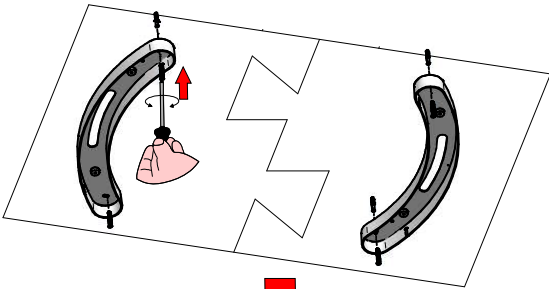




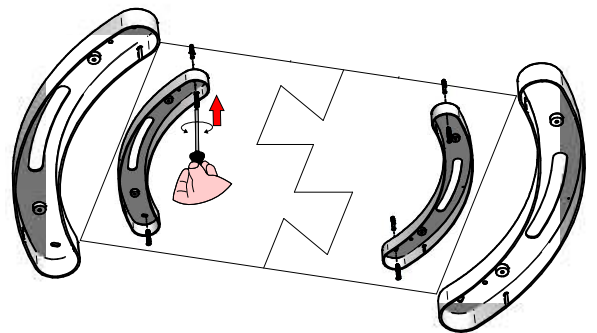
2B



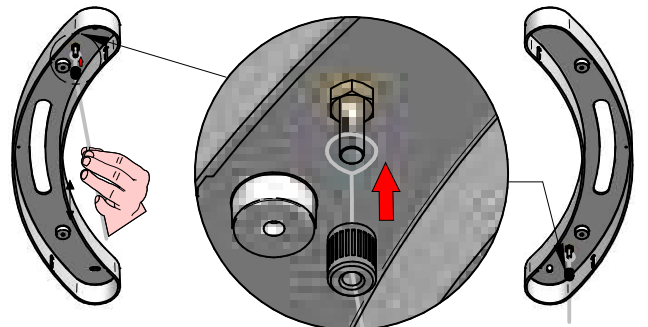
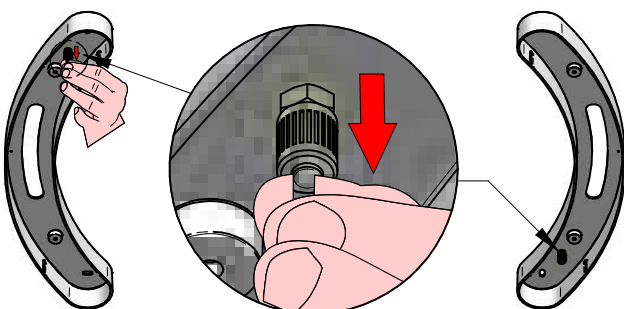
1 ( $\phi 960$ )



2 ( $\phi 660$ )



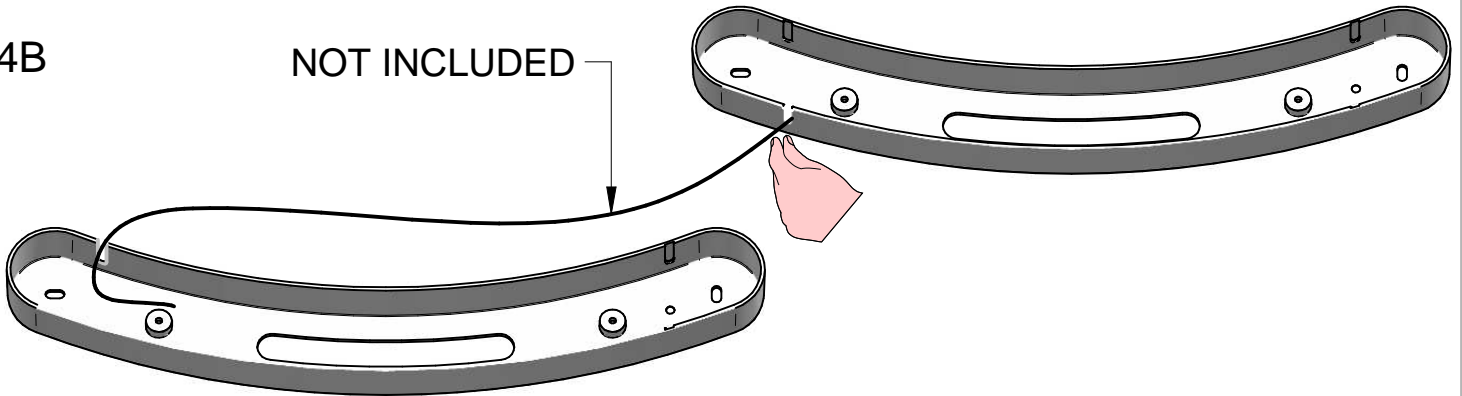
3B



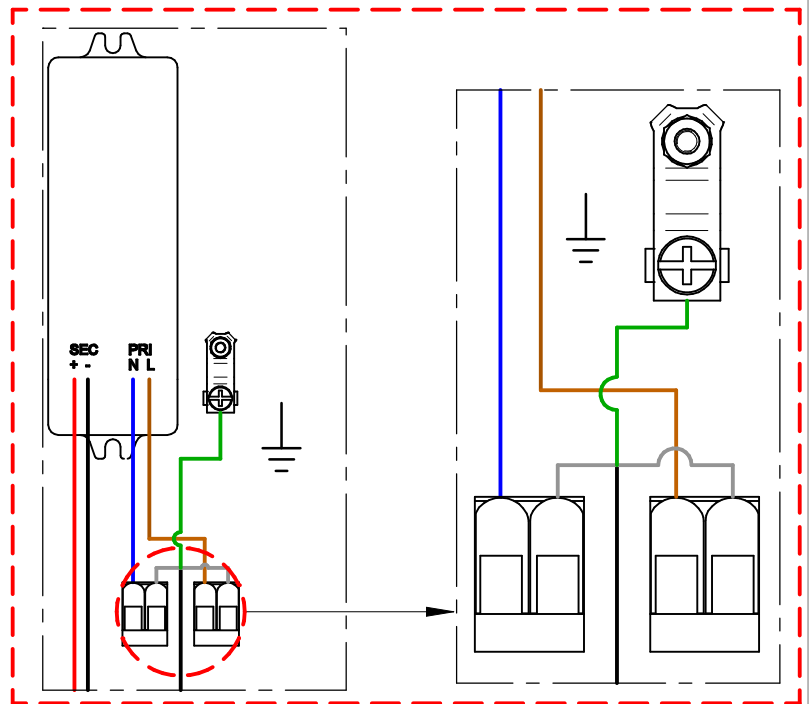
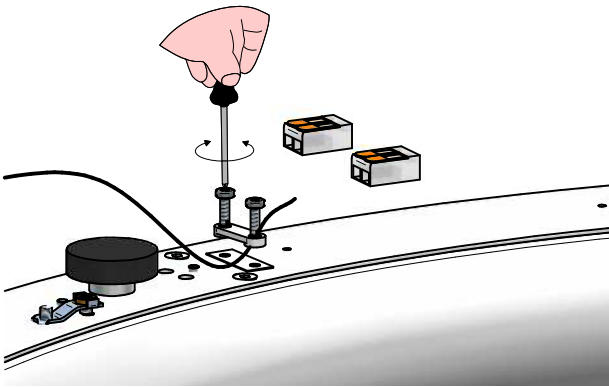
Ø660 Ø960

4B

NOT INCLUDED



5B



6B

