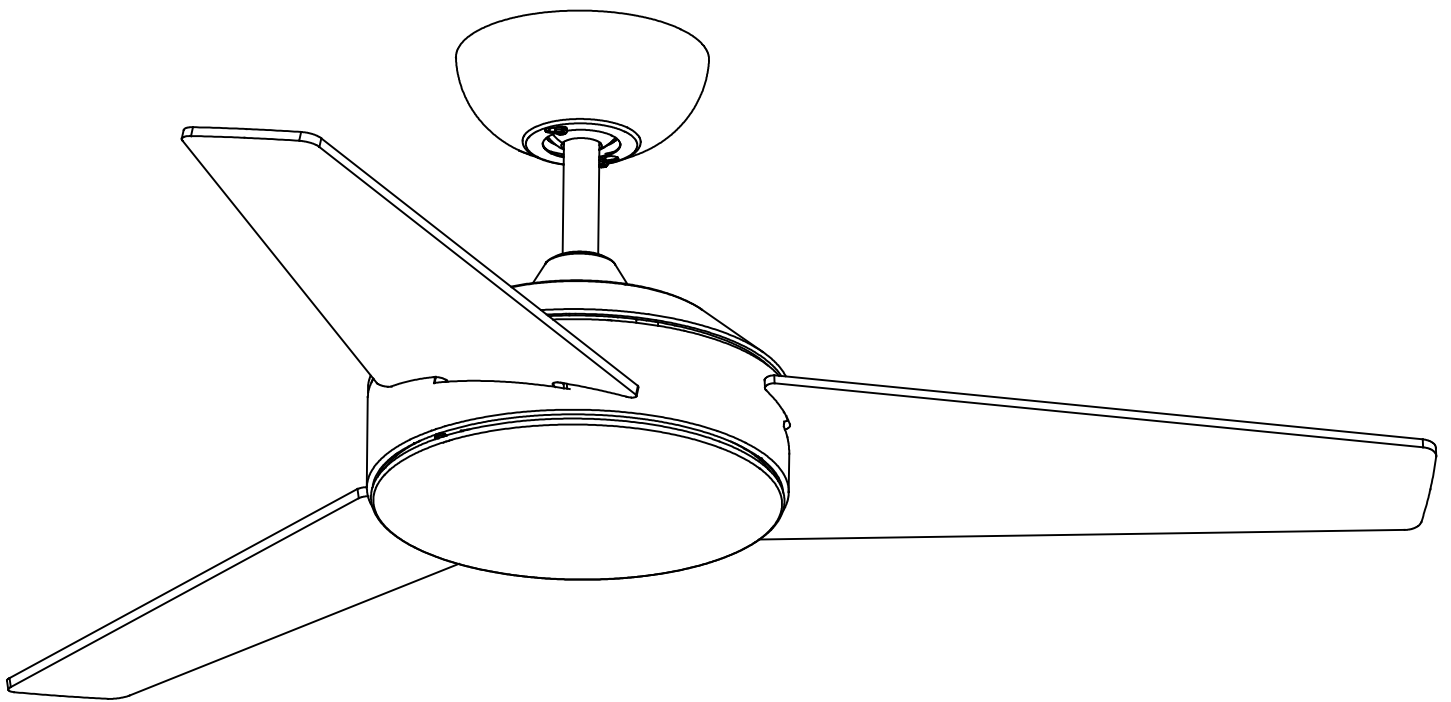
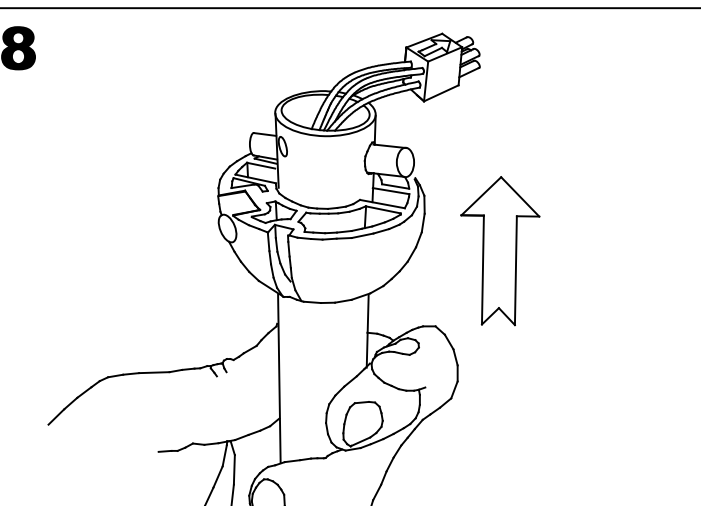
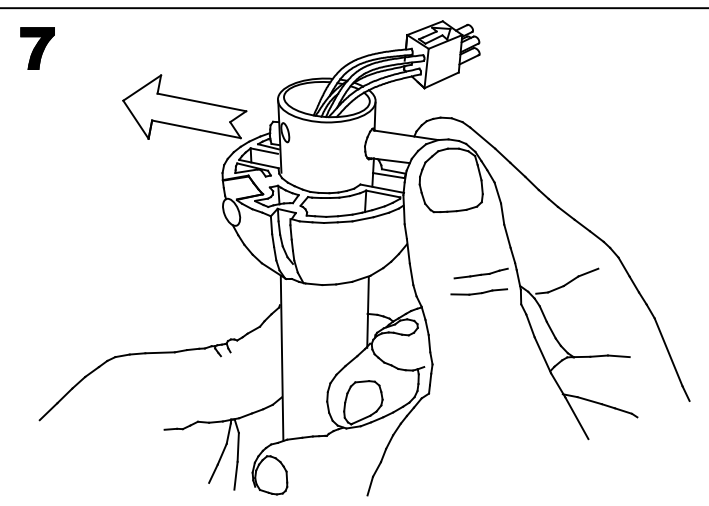
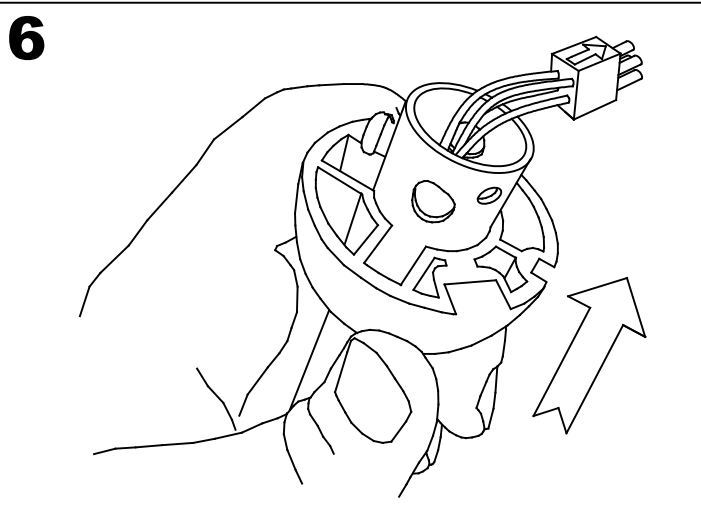
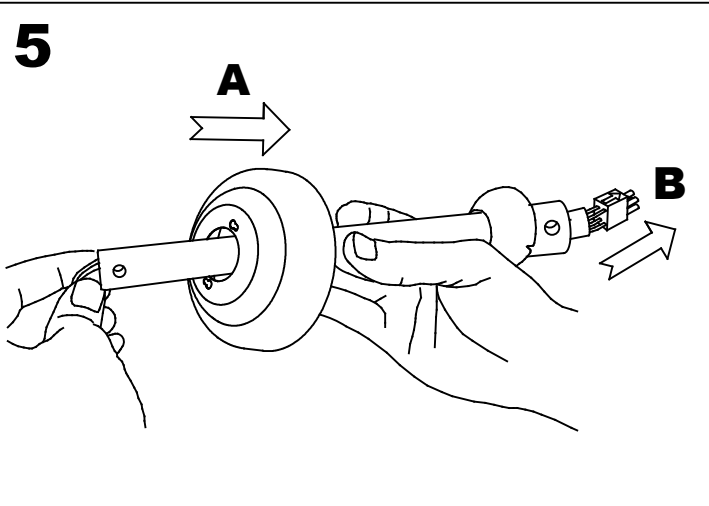
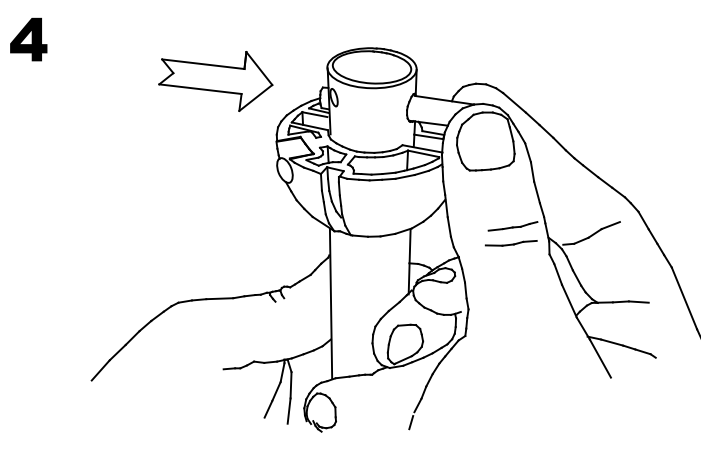
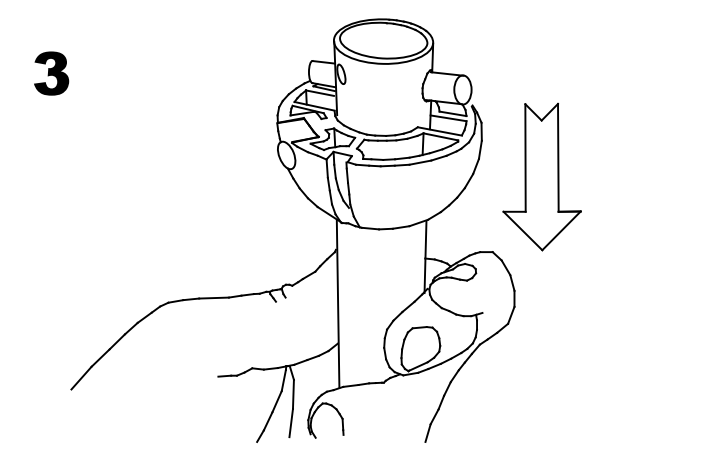
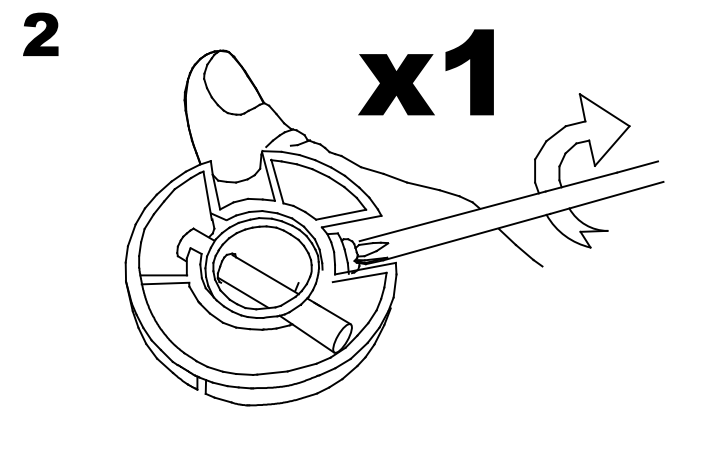
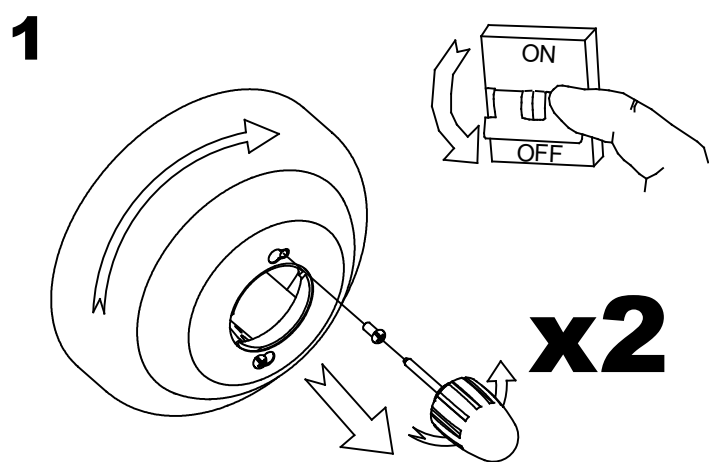


# LEDS C4<sup>▪</sup>

## WINDY / 30-6141

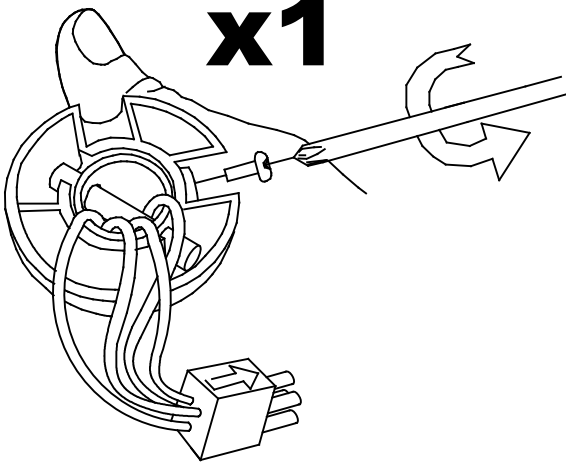




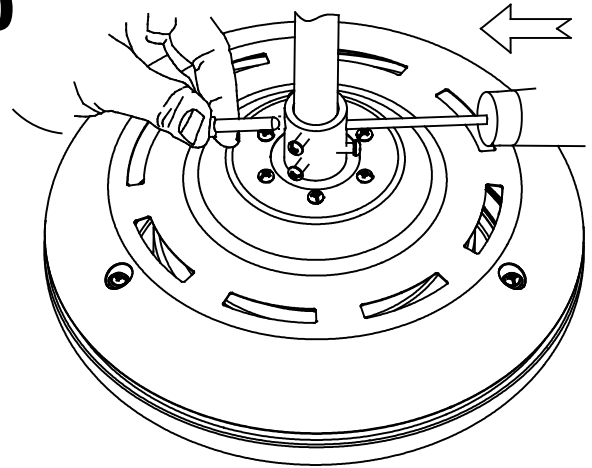
# LEDS C4<sup>+</sup>

9

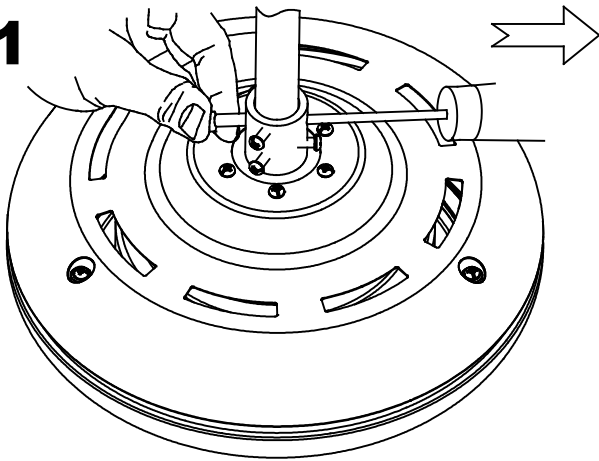
x1



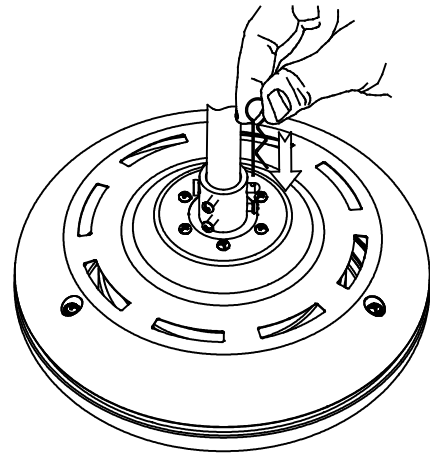
10



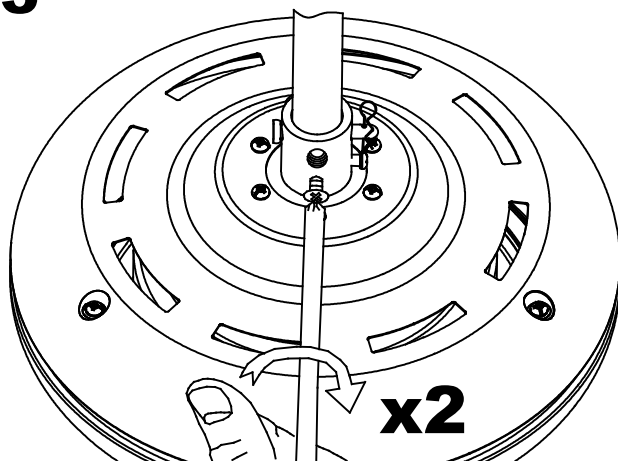
11



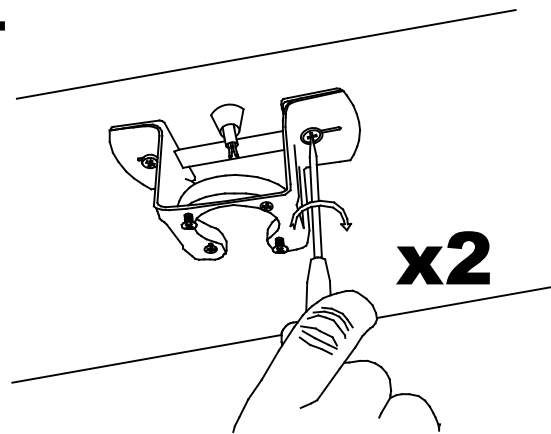
12



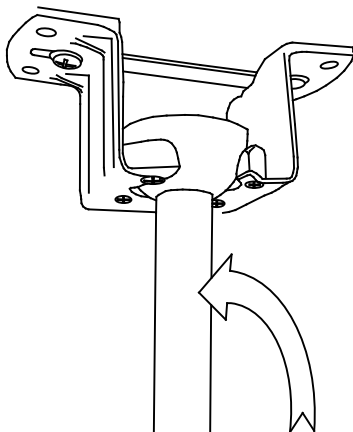
13



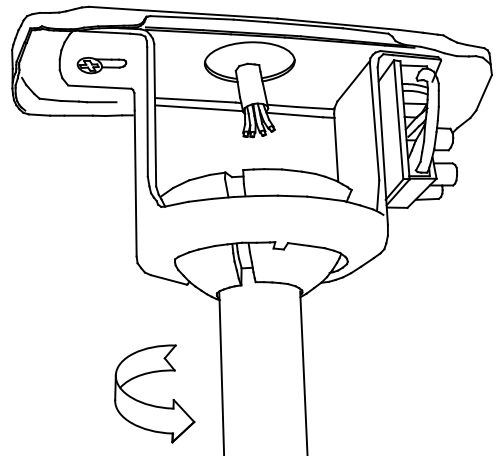
14



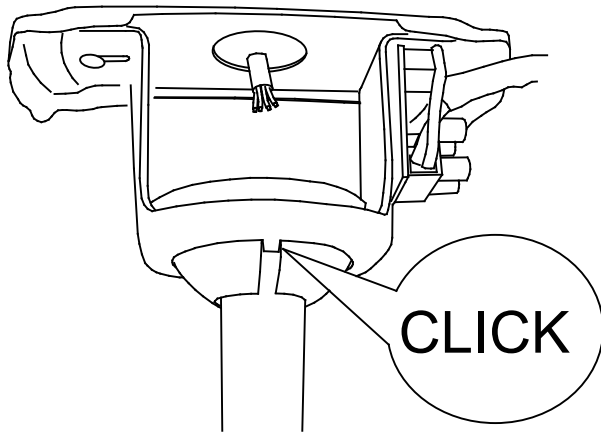
15



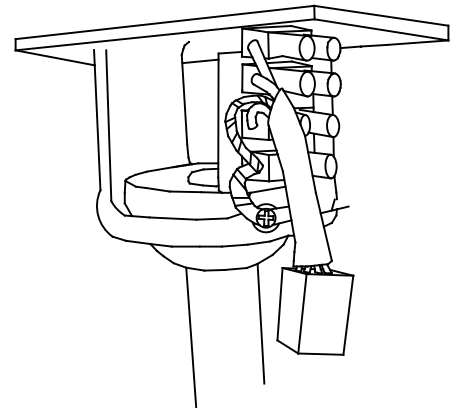
16



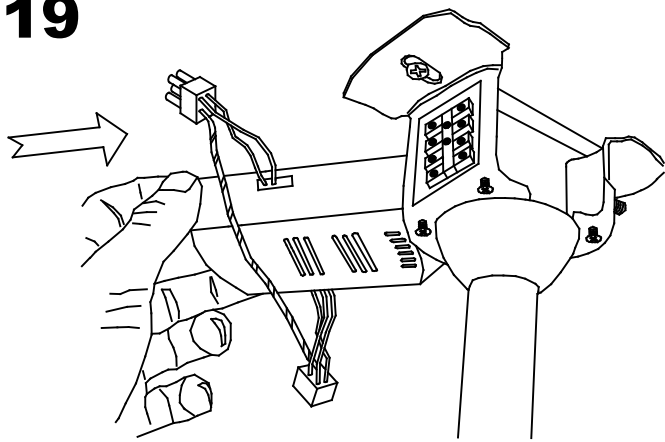
17



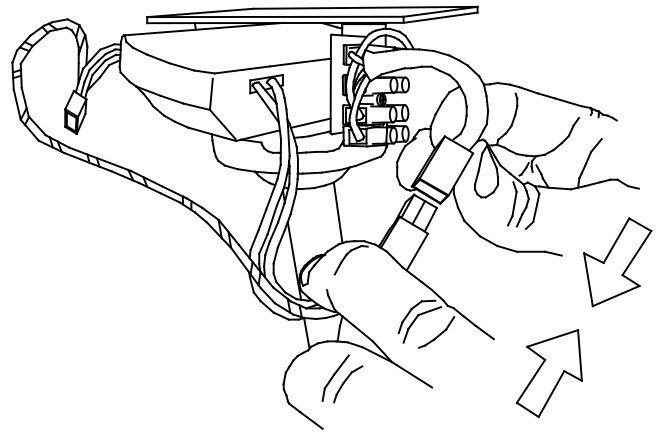
18



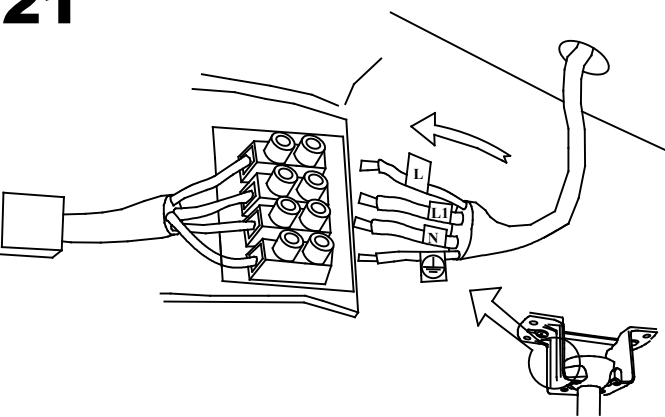
19



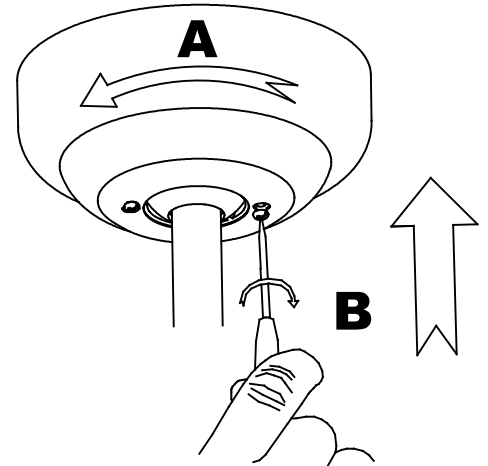
20



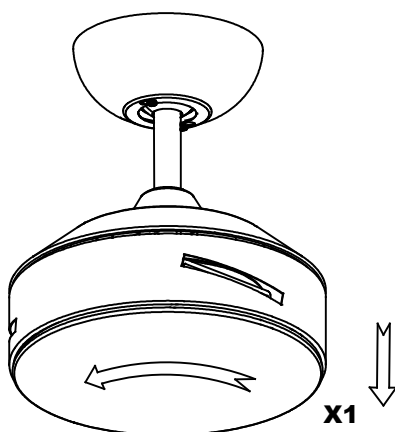
21



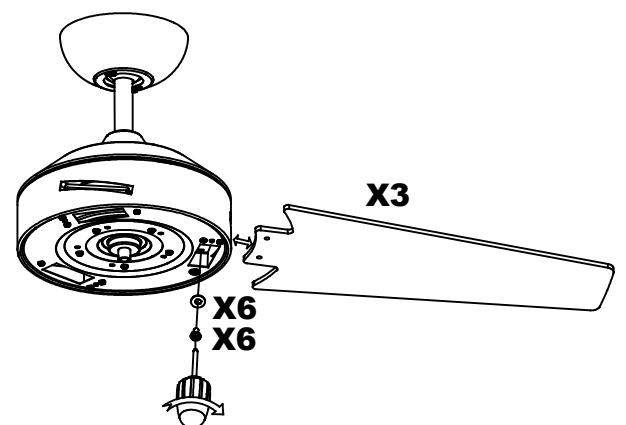
22



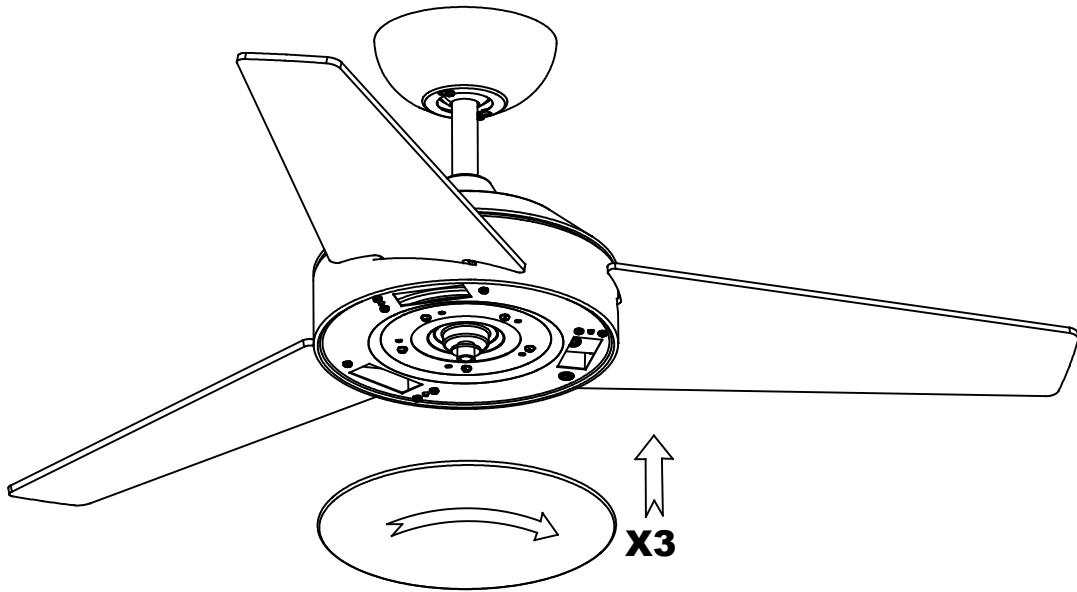
23



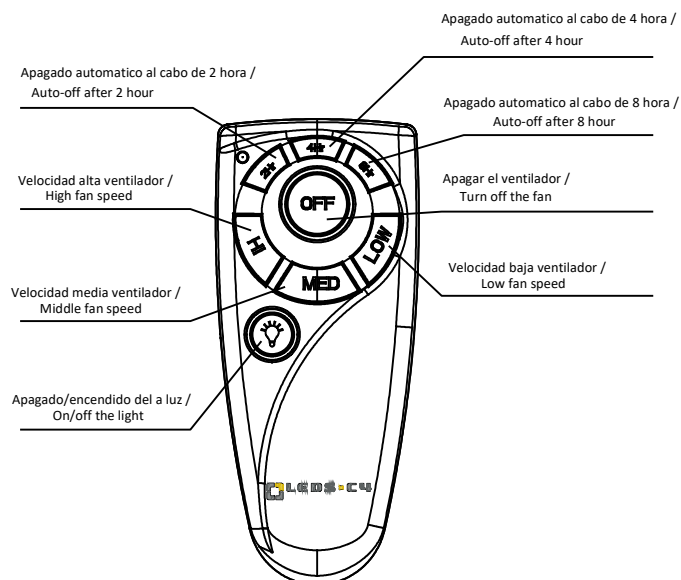
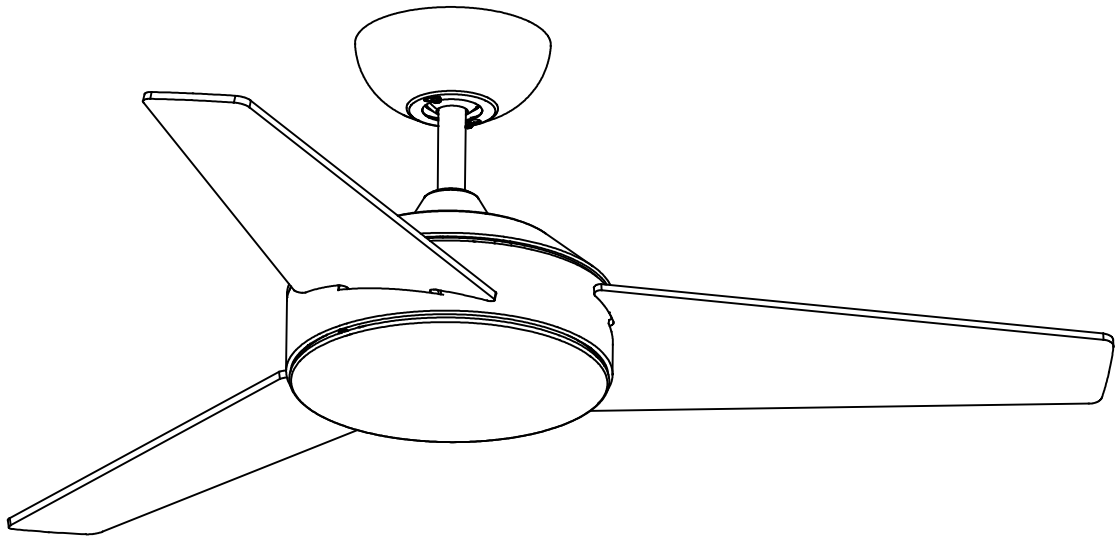
24

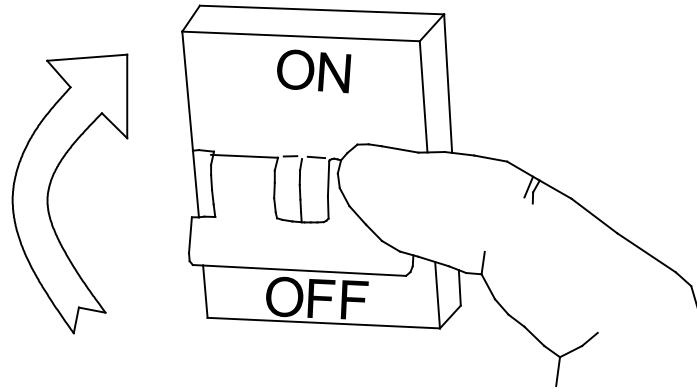


25

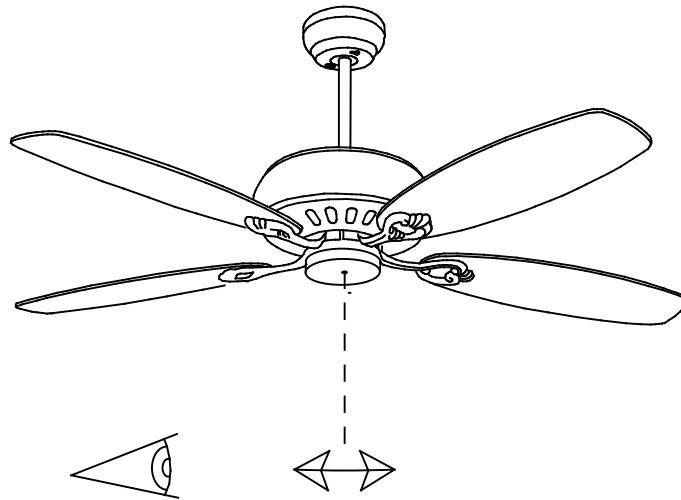


26





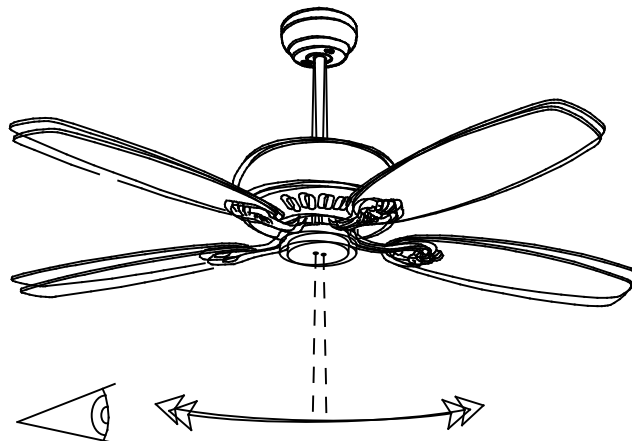
HI  
**ON**



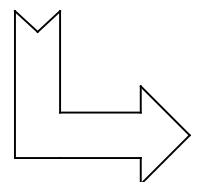
= **OK**



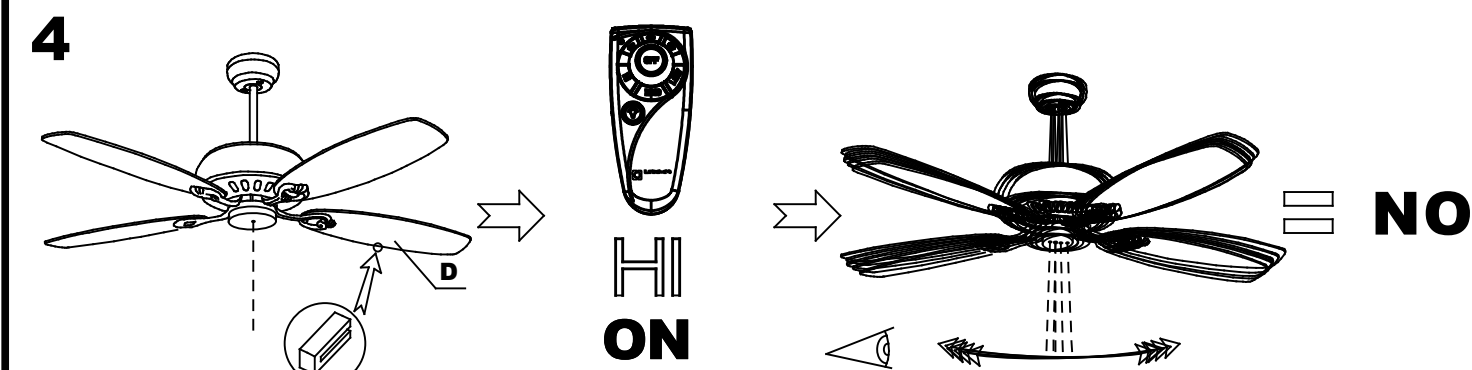
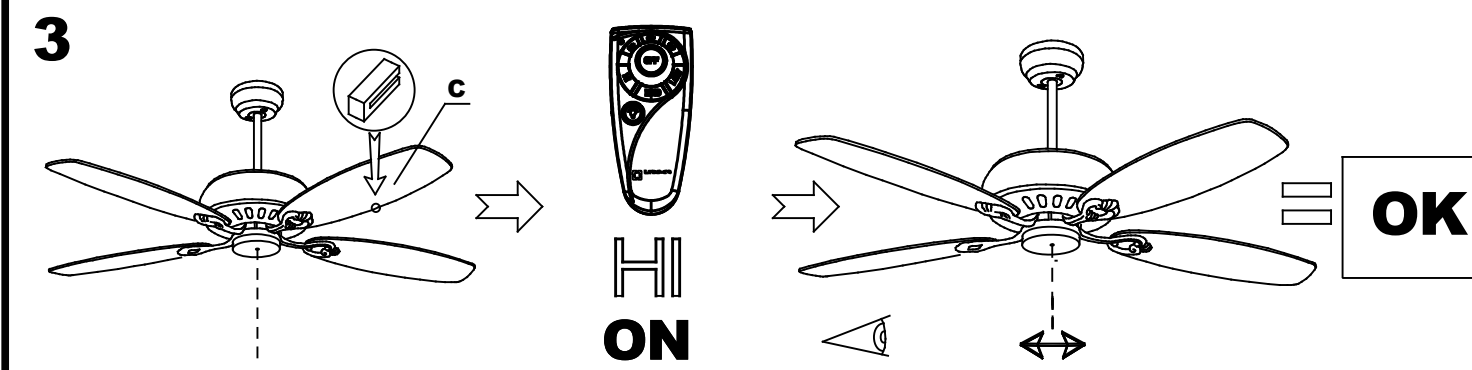
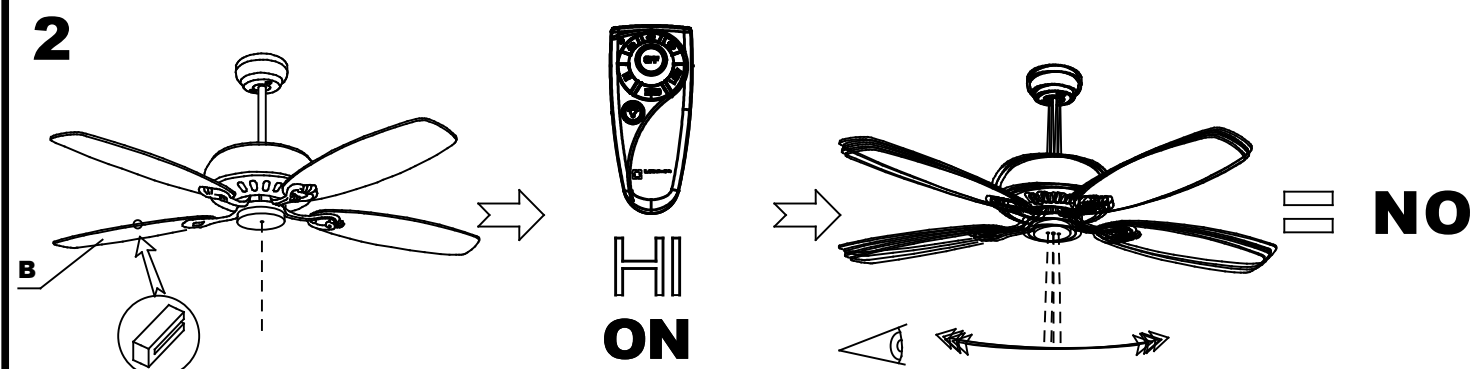
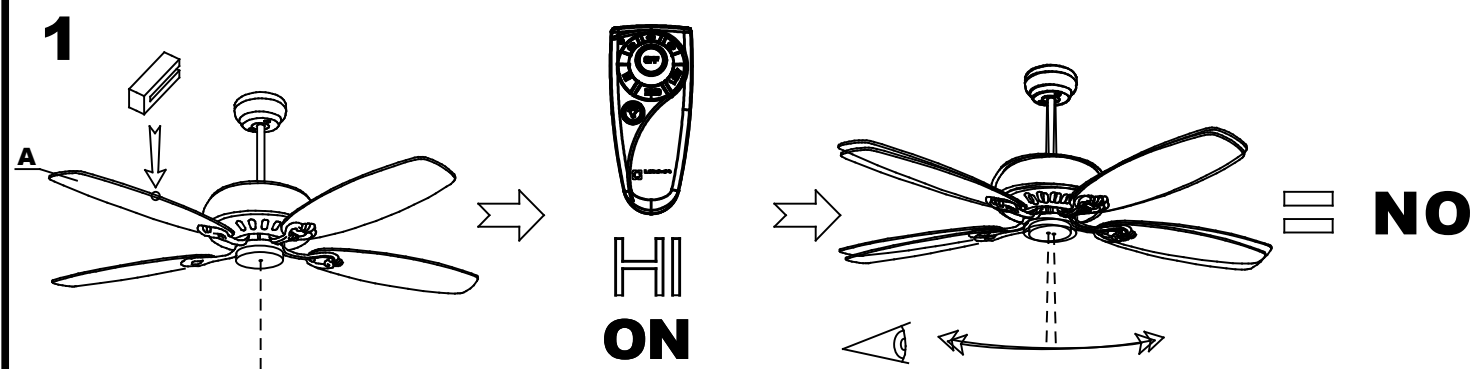
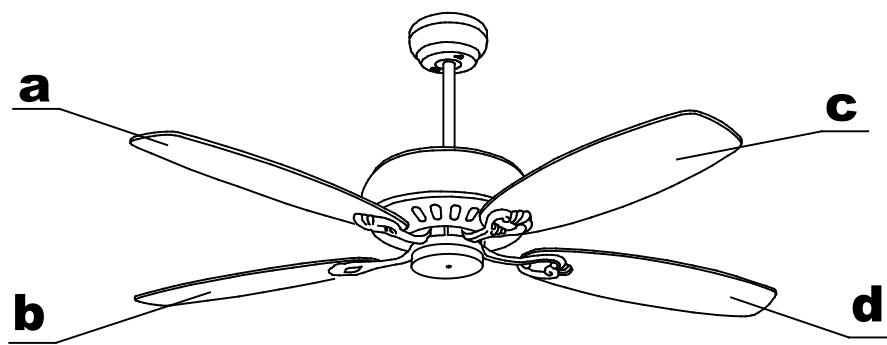
HI  
**ON**



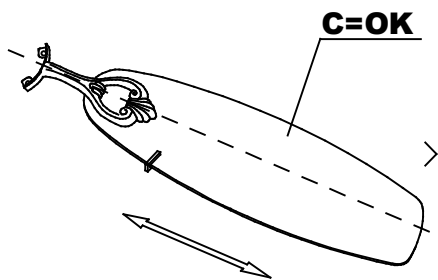
= **NO**



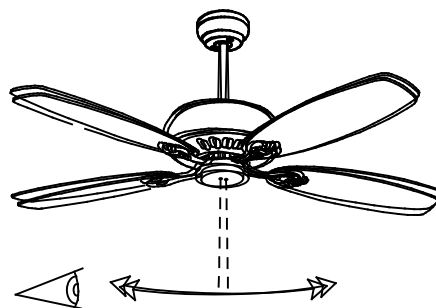
# LEDS C4<sup>■</sup>



5

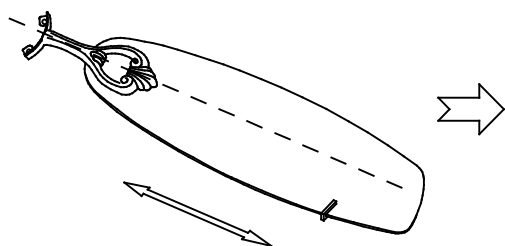


ON

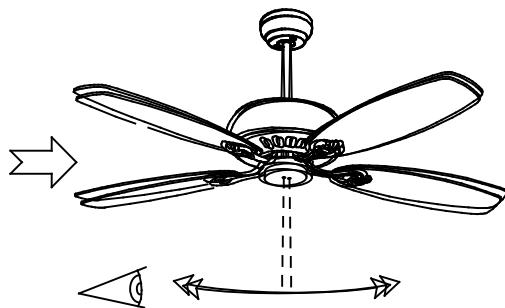


≡ NO

6

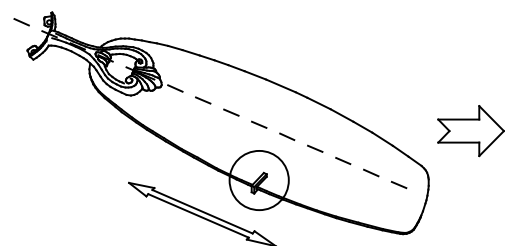


ON

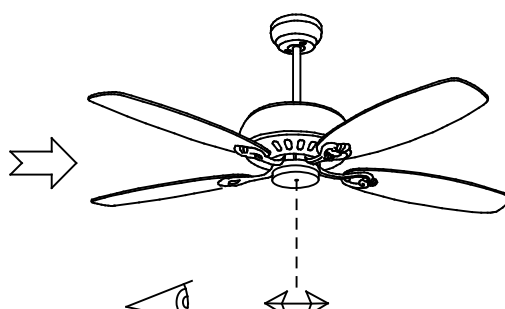


≡ NO

7



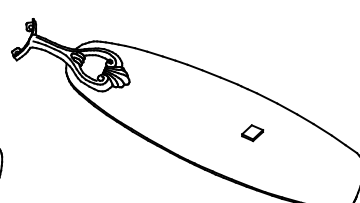
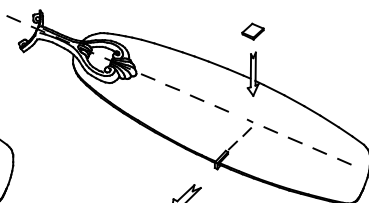
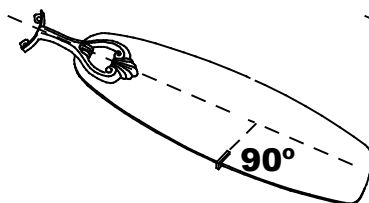
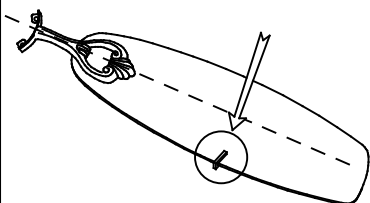
ON



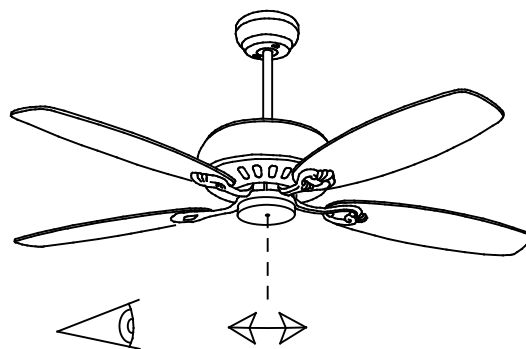
≡ OK

8

OK



ON



≡ OK